





JOSEPH T. DUENAS  
Chairman



JOHN M. BENAVENTE, P.E.  
General Manager

Telephone Nos. (671) 648-3054/55 or Facsimile (671) 648-3165

Accountability · Impartiality · Competence · Openness · Value

INVITATION FOR BID (IFB) NO.: GPA-070-23  
DESCRIPTION: MISCELLANEOUS CLAMPS

**SPECIAL REMINDERS TO PROSPECTIVE BIDDERS**

Bidders are reminded to read the Sealed Bid Solicitation and Instructions, and General Terms and Conditions attached to the IFB to ascertain that all of the following requirements checked below are submitted in the bid envelope, one (1) original, two (2) copies, at the date and time for bid opening. All sealed proposal submissions must be hand delivered, delivered by mail, or delivered by other courier service to:

**ISSUING OFFICE:**

Guam Power Authority-Procurement Office  
1<sup>st</sup>. Floor, Room 101  
Gloria B. Nelson Public Service Building  
688 Route 15  
Mangilao, Guam 96913

(XX) BID GUARANTEE – (15%) May be in the form of;  
Reference #11 on the General Terms and Conditions

- a. Cashier's Check or Certified Check (NOTE: Cashier's Check or Certified Check Refunds will be ONLY be made out to the name of the Bidder.)
- b. Letter of Credit or
- c. Surety Bond – Valid only if accompanied by:
  - 1. Current Certificate of Authority issued by the Insurance Commissioner; or
  - 2. Power of Attorney issued by the Surety to the Resident General Agent or the following:
    - a. Current Sworn Annual Report (Limited Liability Company (LLC) and/or Corporation) or;
    - b. Current Renewal of Annual Limited Liability Partnership (LLP); or
  - 3. Power of Attorney issued by two (2) major officers of the Surety to whomever is signing on their behalf.

- ( ) STATEMENT OF QUALIFICATION;
- ( ) SAMPLES;
- (XX) BROCHURES/DESCRIPTIVE LITERATURE; (Shall provide detailed literature on items offered)
- (XX) OWNERSHIP AND INTEREST DISCLOSURE AFFIDAVIT; *Pursuant to Public Law 36-13*
- (XX) NON-COLLUSION AFFIDAVIT; *Pursuant to Public Law 36-13*
- (XX) NO GRATUITIES OR KICKBACKS AFFIDAVIT;
- (XX) ETHICAL STANDARDS AFFIDAVIT;
- (XX) WAGE DETERMINATION AFFIDAVIT;
- (XX) RESTRICTIONS AGAINST SEX OFFENDERS AFFIDAVIT
- (XX) CONTINGENT FEES AFFIDAVIT;

Note: The above Affidavits must comply with the following requirements:

- a. The affidavit must be signed within 60 days of the date the bid is due;
- b. Date of signature of the person authorized to sign the bid and the notary date must be the same.
- c. First time affidavit must be an original – If copy, indicate Bid Number/Agency where original can be obtained.

(XX) OTHER REQUIREMENTS:

A Guam Business License and/or Contractor's License with proof of Employer Identification Number (EIN) is not required in order to provide a proposal for this engagement, but is a pre-condition for entering into a contract with the Authority.

The reminder must be signed and returned in the bid envelope together with the bid. Failure to comply with the above requirements will mean a disqualification and rejection of the bid.

On this \_\_\_\_\_ day of \_\_\_\_\_ 2023, I, \_\_\_\_\_, authorized representative of \_\_\_\_\_ acknowledge receipt of this special reminder to prospective bidders with the above referenced IFB.

\_\_\_\_\_  
Bidder Representative's Signature

### INVITATION FOR BID

**ISSUING OFFICE:**

Guam Power Authority-Procurement Office  
1<sup>st</sup>. Floor, Room 101  
Gloria B. Nelson Public Service Building  
688 Route 15  
Mangilao, Guam 96913

Attn: JOHN M. BENAVENTE, P.E.

General Manager  
c/o JAMIE LYNN C. PANGELINAN  
Supply Management Administrator



8/4/2023

for **JOHN M. BENAVENTE, P.E.** DATE  
General Manager



DATE ISSUED: 08/10/2023 BID INVITATION NO.: GPA-070-23

BID FOR: MISCELLANEOUS CLAMPS

SPECIFICATION: SEE ATTACHED

DESTINATION: GUAM POWER AUTHORITY, DEDEDO SUPPLY WAREHOUSE

Air Freight: 4 Weeks After Receipt of Order (ARO),  
REQUIRED DELIVERY TIME: Ocean Freight: 6 Weeks After Receipt of Order (ARO)

**INSTRUCTIONS TO BIDDERS:**

INDICATE WHETHER:  INDIVIDUAL  PARTNERSHIP  CORPORATION

INCORPORATED IN: \_\_\_\_\_

This bid shall be submitted in duplicate and sealed to the issuing office above no later than (Time) 2:00 P.M.  
Date: 08/17/2023 and shall be publicly opened. Bid submitted after the time and date specified above shall be rejected. See attached General Terms and Conditions and Sealed Bid Solicitation for details.

The undersigned offers and agrees to furnish within the time specified, the articles and services at the price stated opposite the respective items listed on the schedule provided, unless otherwise specified by the bidder. In consideration to the expense of the Government in opening, tabulating, and evaluating this and other bids, and other considerations, the undersigned agrees that this bid remain firm and irrevocable within one hundred twenty (120) calendar days from the date opening to supply any or all of the items which prices are quoted.

NAME AND ADDRESS OF BIDDER:

SIGNATURE AND TITLE OF PERSON  
AUTHORIZED TO SIGN THIS BID:

\_\_\_\_\_  
\_\_\_\_\_  
\_\_\_\_\_

\_\_\_\_\_

AWARD: CONTRACT NO.: \_\_\_\_\_ AMOUNT: \_\_\_\_\_ DATE: \_\_\_\_\_

ITEM NO(S). AWARDED: \_\_\_\_\_

CONTRACTING OFFICER:

JOHN M. BENAVENTE, P.E. DATE  
General Manager

NAME AND ADDRESS OF CONTRACTOR:

SIGNATURE AND TITLE OF PERSON

\_\_\_\_\_  
\_\_\_\_\_  
\_\_\_\_\_

\_\_\_\_\_

INVITATION FOR BID NO.: GPA-070-23  
Requisition No.: 37855

NO.	DESCRIPTION	QTY.	U/I	U/P	T/P
-----	-------------	------	-----	-----	-----

1.0	Clamp, Straight, for Line Post Insulator Size: 927.2 kcmil Tree Wire GPA Index No.: SSOC0170	20	EA	\$ _____ (Air Freight: 4 Weeks After Receipt of Order (ARO))	\$ _____
-----	--	----	----	---	----------

Marking Requirements: Stencil 1" GPA Index No./P.O. No./Quantity per Box	\$ _____ (Ocean Freight: 6 Weeks After Receipt of Order (ARO))
---	---

Ref. Mfr.: Hubbell Power Systems, P/N: TSC200

\*\*\*APPROVED EQUAL TO OR BETTER\*\*\*

**DELIVERY REQUIREMENT:**  
Air Freight: 4 Weeks After Receipt of Order (ARO)  
Ocean Freight: 6 Weeks After Receipt of Order (ARO)

Reasonable delivery extension requests for this specific bid will be duly considered with the supporting manufacturer documentation however, such requests are not guaranteed approval due to critical and urgent need of the materials to support the Guam Power Authority's needs.

NOTE: Notwithstanding the fact that this contract was written by one (1) party, it will be construed that it was written by two (2) parties.

**TO BE COMPLETED BY BIDDER:**

MANUFACTURER/BRAND NAME: \_\_\_\_\_

CAT. NO. / MODEL NO.: \_\_\_\_\_

PLACE OF ORIGIN: \_\_\_\_\_

EXPORT ABROAD: \_\_\_\_\_

TIME OF DELIVERY AFTER RECEIPT OF PURCHASE ORDER: \_\_\_\_\_

All deviations shall be identified referencing the Section and Sub-Section(s) from the attached GPA Specifications.

**REMARKS/DEVIATIONS:**

\_\_\_\_\_

\_\_\_\_\_

\_\_\_\_\_

**Specifications Generated by:**

Angela Balajadia 08/01/2023  
ANGELA BALAJADIA DATE  
Inventory Management Officer

**Specifications Approved by:**

Beatrice P. Limtiaco 8/4/2023  
BEATRICE P. LIMTIACO DATE  
Assistant General Manager  
of Administration

INVITATION FOR BID NO.: GPA-070-23  
Requisition No.: 37855

NO.	DESCRIPTION	QTY.	U/I	U/P	T/P
-----	-------------	------	-----	-----	-----

2.0	Clamp, Straight, Suspension-Deadend For Line Post Insulator, Aluminum, #336.4 MCM	1,800	EA	\$ _____	\$ _____ (Air Freight: 4 Weeks After Receipt of Order (ARO))
-----	---	-------	----	----------	--

	As per GPA Specification E-011, Rev.2 GPA Index No.: SSOC0172			\$ _____	\$ _____ (Ocean Freight: 6 Weeks After Receipt of Order (ARO))
--	--	--	--	----------	--

Marking Requirements:  
Stencil 1" GPA Index No./P.O. No./Quantity per Box

Ref. Mfr.: Hubbell Power Systems, P/N: TSC86  
Ref. Mfr.: Maclean Power Systems, P/N: ACTS-084

\*\*\*APPROVED EQUAL TO OR BETTER\*\*\*

**DELIVERY REQUIREMENTS:**  
Air Freight: 4 Weeks After Receipt of Order (ARO)  
Ocean Freight: 6 Weeks After Receipt of Order (ARO)

All deviations shall be identified  
referencing the Section and Sub-  
Section(s) from the attached GPA  
Specifications.

**REMARKS/DEVIATIONS:**

Reasonable delivery extension requests for this specific  
bid will be duly considered with the supporting manufacture  
documentation however, such requests are not guaranteed  
approval due to critical and urgent need of the materials to  
support the Guam Power Authority's needs.

---



---



---

NOTE: Notwithstanding the fact that this contract was written by  
one (1) party, it will be construed that it was written by two (2)  
parties.

**TO BE COMPLETED BY BIDDER:**

MANUFACTURER/BRAND NAME: \_\_\_\_\_

CAT. NO. / MODEL NO.: \_\_\_\_\_

PLACE OF ORIGIN: \_\_\_\_\_

EXPORT ABROAD: \_\_\_\_\_

TIME OF DELIVERY AFTER RECEIPT OF  
PURCHASE ORDER: \_\_\_\_\_

**Specifications Generated by:**

	08/01/2023
ANGELA BALAJADIA	DATE
Inventory Management Officer	

**Specifications Approved by:**

	8/4/2023
BEATRICE P. LIMITIACO	DATE
Assistant General Manager of Administration	

INVITATION FOR BID NO.: GPA-070-23  
Requisition No.: 37855

NO.	DESCRIPTION	QTY.	U/I	U/P	T/P
-----	-------------	------	-----	-----	-----

3.0	Clamp, Straight, for Line Post Insulator 927.2 MCM Aluminum Conductors  As per GPA Specification E-011, Rev.2 GPA Index No.: SSOC0175  Marking Requirements: Stencil 1" GPA Index No./P.O. No./Quantity per Box  Ref. Mfr.: Chance, P/N: TSC150 Ref. Mfr.: Maclean Power Systems, P/N: ACTS-150	250	EA	\$ _____ (Air Freight: 4 Weeks After Receipt of Order (ARO))	\$ _____ (Ocean Freight: 6 Weeks After Receipt of Order (ARO))
-----	---	-----	----	--	--

\*\*\*APPROVED EQUAL TO OR BETTER\*\*\*

**DELIVERY REQUIREMENT:**  
 Air Freight: 4 Weeks After Receipt of Order (ARO)  
 Ocean Freight: 6 Weeks After Receipt of Order (ARO)

REMARKS/DEVIATIONS:

---



---



---

Reasonable delivery extension requests for this specific bid will be duly considered with the supporting manufacturer documentation however, such requests are not guaranteed approval due to critical and urgent need of the materials to support the Guam Power Authority's needs.

NOTE: Notwithstanding the fact that this contract was written by one (1) party, it will be construed that it was written by two (2) parties.

**TO BE COMPLETED BY BIDDER:**

MANUFACTURER/BRAND NAME: \_\_\_\_\_

CAT. NO. / MODEL NO.: \_\_\_\_\_

PLACE OF ORIGIN: \_\_\_\_\_


EXPORT ABROAD: \_\_\_\_\_

TIME OF DELIVERY AFTER RECEIPT OF PURCHASE ORDER: \_\_\_\_\_

**Specifications Generated by:**

 08/01/2023  
 ANGELA BALAJADIA                      DATE  
 Inventory Management Officer

**Specifications Approved by:**

 8/4/2023  
 BEATRICE P. LIMTIACO                      DATE  
 Assistant General Manager  
 of Administration

INVITATION FOR BID NO.: GPA-070-23  
Requisition No.: 37855

NO.	DESCRIPTION	QTY.	U/I	U/P	T/P
-----	-------------	------	-----	-----	-----

4.0	Clamp, Bail Aluminum #6 to 2/0 ACSR, Plated Steel With eyenut, #2 Solid Copper Plated Bail  As per GPA Specification E-016, Rev.8 GPA Index No.: SSOC0185  Marking Requirements: Stencil 1" GPA Index No./P.O. No./Quantity per Box  Ref. Mfr.: Hubbell Power Systems, P/N: AHLS022019E Ref. Mfr.: Maclean Power Systems, P/N: HLS-2/0-E	550	EA	\$ _____ (Air Freight: 4 Weeks After Receipt of order (ARO))  \$ _____ (Ocean Freight: 6 Weeks After Receipt of Order (ARO))	\$ _____  \$ _____
-----	--	-----	----	--	--------------------------

\*\*\*APPROVED EQUAL TO OR BETTER\*\*\*

All deviations shall be identified referencing the Section and Sub-Section(s) from the attached GPA Specifications.

**DELIVERY REQUIREMENT:**

Air Freight: 4 Weeks After Receipt of Order (ARO)  
 Ocean Freight: 6 Weeks After Receipt of Order (ARO)

**REMARKS/DEVIATIONS:**

Reasonable delivery extension requests for this specific bid will be duly considered with the supporting manufacturer documentation however, such requests are not guaranteed approval due to critical and urgent need of the materials to support the Guam Power Authority's needs.

\_\_\_\_\_  
 \_\_\_\_\_  
 \_\_\_\_\_

NOTE: Notwithstanding the fact that this contract was written by one (1) party, it will be construed that it was written by two (2) parties.

**TO BE COMPLETED BY BIDDER:**

MANUFACTURER/BRAND NAME: \_\_\_\_\_

CAT. NO. / MODEL NO.: \_\_\_\_\_

PLACE OF ORIGIN: \_\_\_\_\_

EXPORT ABROAD: \_\_\_\_\_

TIME OF DELIVERY AFTER RECEIPT OF PURCHASE ORDER: \_\_\_\_\_

**Specifications Generated by:**

*Angela Balajadia* 08/01/2023  
 \_\_\_\_\_  
 ANGELA BALAJADIA DATE  
 Inventory Management Officer

**Specifications Approved by:**

*Beatrice P. Limtiaco* 8/4/2023  
 \_\_\_\_\_  
 BEATRICE P. LIMTIACO DATE  
 Assistant General Manager  
 of Administration



GUAM POWER  
AUTHORITY  
HAGATNA, GUAM

SPECIFICATION No. E-011

Page 1 of 15

December 12, 2016

PREPARED BY THE ENGINEERING DEPARTMENT

REV. 2

GUAM POWER AUTHORITY  
P.O. BOX 2977  
HAGATNA, GUAM 96932

TRANSMISSION & DISTRIBUTION SPECIFICATION  
Specification No. E-011

FOR

CONDUCTOR CLAMPS, CLEVIS,  
AND SHIELD WIRE SUPPORT;  
STRAIN, STRAIGHT, AND ANGLE

EFFECTIVE DATE: 1/30/17	ISSUED: 	APPROVED: 
-------------------------	---	---





GUAM POWER  
AUTHORITY  
HAGATNA, GUAM

SPECIFICATION No. E-011

December 12, 2016

PREPARED BY THE ENGINEERING DEPARTMENT


REV. 2

**CONDUCTOR CLAMPS, CLEVIS, AND  
SHIELD WIRE SUPPORT; STRAIN,  
STRAIGHT, AND ANGLE**

**TABLE OF CONTENTS**

SECTION	PAGE
1.0 SCOPE.....	3
2.0 DEVIATIONS.....	3
3.0 MATERIAL.....	3
4.0 DESIGN.....	3
5.0 CLAMP, STRAIN ALUMINUM, #2 TO 2/O.....	4
6.0 CLAMP, STRAIN ALUMINUM, #4/O TO #927.....	5
7.0 CLAMP, STRAIGHT LINE SIDE OPENING DEADEND .....	6
8.0 CLAMP, STRAIN GALVANIZED, #6 TO #1/O.....	7
9.0 STRAIN GALVANIZED, #2/O TO #4/O.....	8
10.0 CLAMP, LINE POST STRAIGHT.....	9
11.0 CLAMP, LINE POSTANGLE.....	10
12.0 CLAMP, STATIC STRAIGHT.....	11
13.0 CLAMP, STATIC ANGLE.....	12
14.0 CLAMP, STRAIN STATIC.....	13
15.0 CLEVIS, SECONDARY.....	14
16.0 SHIELD, STATIC WIRE SUPPORT.....	15

EFFECTIVE DATE: 1/20/17	ISSUED:	APPROVED:
-------------------------	---------	-----------

 <p><b>GUAM POWER AUTHORITY</b> HAGATNA, GUAM</p>	<p><b>SPECIFICATION No. E-011</b></p>	<p>Page 3 of 15</p>
		<p>December 12, 2016</p>
<p>PREPARED BY THE ENGINEERING DEPARTMENT</p>		<p>REV. 2</p>

**1.0 SCOPE**

To describe the design and technical features for the different types of conductor clamps used in GPA overhead construction.

**2.0 DEVIATIONS AND NON-CONFORMANCE REQUIREMENTS**

- 2.1 Deviations from this specification or changes in the material or design after the purchase order has been placed must be approved by the GPA Engineering department and acknowledged by a Purchase Order Amendment issued by GPA.
- 2.2 Units received with deviations or non-conformances that are not acknowledged per Section 2.1 are subject to rejection. The Supplier of rejected units is responsible for any corrective action including but not limited to materials, labor and transportation necessary to dispose of or make the units conform to the specification.
- 2.3 Notification of defective units discovered before or after installation that are believed to be inherent to manufacturing problems or workmanship shall be made and forwarded to the Supplier. The description of the item, documentation of the problem and the described information, disposition and/or follow-up (as appropriate) that GPA expects from the Supplier will be specified. The Supplier's response shall be made within thirty (30) days unless an extension IS acknowledged and approved in writing by the GPA Manager of Engineering.


**3.0 MATERIALS**

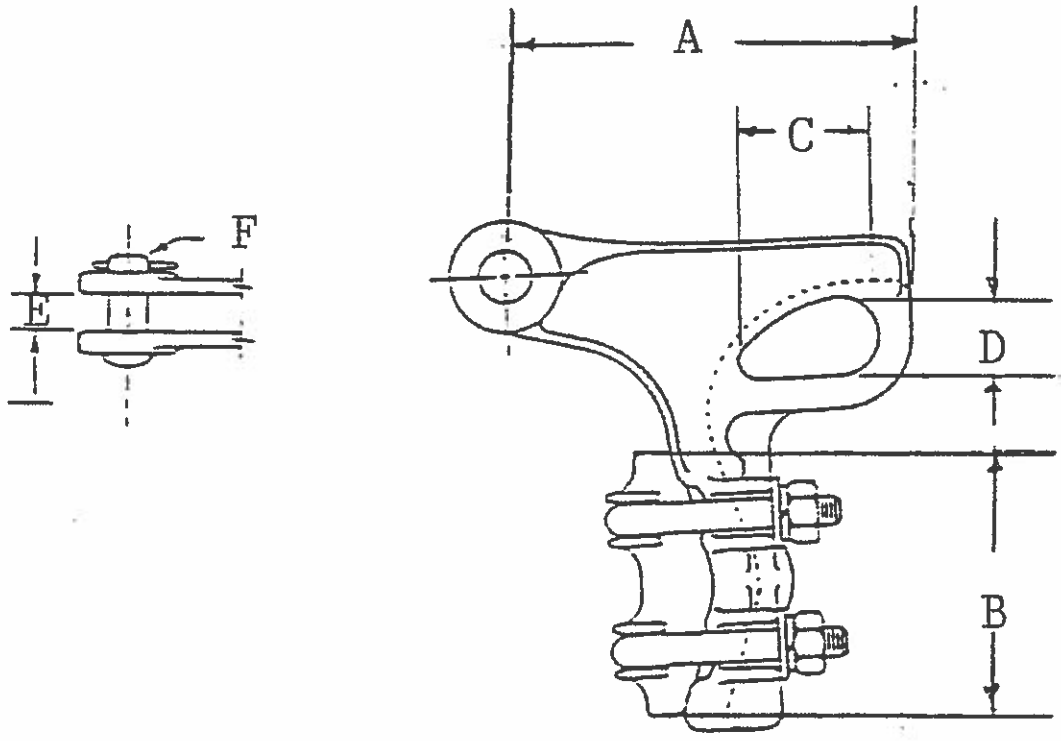
- 3.1 Aluminum Clamps: The body and keeper shall be of high strength, heat treated, cast aluminum alloy. Connector fittings shall be malleable iron: bolts, U-Bolts, nuts, and lock washers, shall be steel. All the ferrous parts shall be hot dip galvanized. Cotter pins shall be stainless steel. All material shall be corrosion resistant and non-magnetic. Clamps are to be used with aluminum conductors.
- 3.2. Malleable Iron Clamps: The body, keeper and connector fittings shall be ASTM Grade No. 35018 malleable iron, and hot dip galvanized. The bolts, U-bolts, units, and lock washers shall be galvanized steel. The cotter pins shall be bronze. All materials shall be corrosion resistant. Clamps are to be used with copper conductors.

**4.0 DESIGN**

The clamps shall be lightweight, of rugged design, and have high and slip strength at least 90 percent of the rated breaking strength of any conductor within their size range. The clamp body and keeper shall be smooth surfaced with all wedges rounded to prevent conductor damage and formation of corona.

EFFECTIVE DATE: 1/30/17	ISSUED: 	APPROVED: 
-------------------------	---	---

 <p>GUAM POWER AUTHORITY HAGATNA, GUAM</p>	<p>SPECIFICATION No. E-011</p>	<p>Page 4 of 15</p>
		<p>December 12, 2016</p>
		<p>REV. 2</p>
<p>PREPARED BY THE ENGINEERING DEPARTMENT</p>		



CLAMP, STRAIN ALUMINUM

5.0 CLAMP, STRAIN ALUMINUM

DESIGN FEATURES

- 5.1 The Body and Keeper shall be made of A356-T6 aluminum alloy; Hardware – Hot dip galvanized steel; Cotter Pin – Stainless Steel; Fittings – Ductile iron hot dip galvanized.
- 5.2 The clamp shall be clevis type to be connected to the insulator with a clevis eye.
- 5.3 The clamp shall be used for #2 to 2/O aluminum conductors.

GPA Index No.	Conductor Dia. Inches		"U"- Bolt Number Size		Ultimate Strength Lbs.
	Max.	Min.			
SSOC0157	.62	.25	2	1/2"	12,000

DIMENSIONS (INCHES)

A	B	C	D	E	F
5-7/8	3-15/16	1-1/2	1-1/8	15/16	5/8

EFFECTIVE DATE: 1/30/17	ISSUED: 	APPROVED: 
-------------------------	---	---



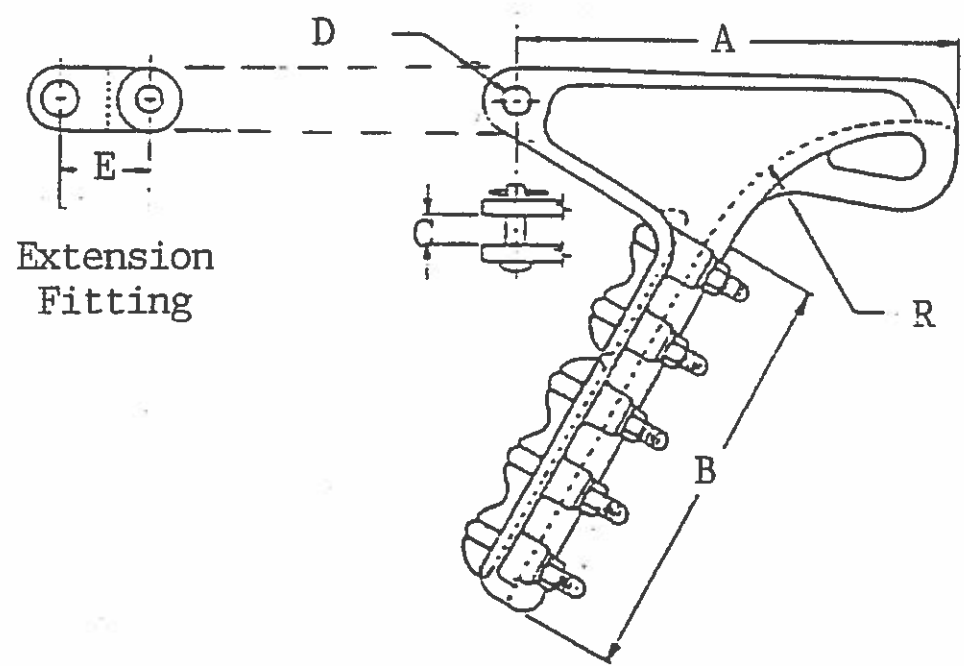
GUAM POWER AUTHORITY  
HAGATNA, GUAM

SPECIFICATION No. E-011

December 12, 2016

PREPARED BY THE ENGINEERING DEPARTMENT

REV. 2



CLAMP, STRAIN ALUMINUM

6.0 CLAMP, STRAIN ALUMINUM

DESIGN FEATURES


- 6.1 The Body and Keeper shall be made of A356-T6 aluminum alloy; Hardware – Hot dip galvanized steel; Cotter Pin – Stainless Steel; Fittings – Ductile iron hot dip galvanized.
- 6.2 The clamp shall be clevis type to be connected to the insulator with a clevis eye
- 6.3 The clamp shall be used for #4/O AWG to 927.2 MCM aluminum conductors.
- 6.4 Index No. SSOC0156 and SSOC0178 shall be for 4/O AWG to 336.4 MCM, and 927.2 MCM aluminum conductors respectively. The clamp for 927.2 MCM shall be provided with an extension fitting.

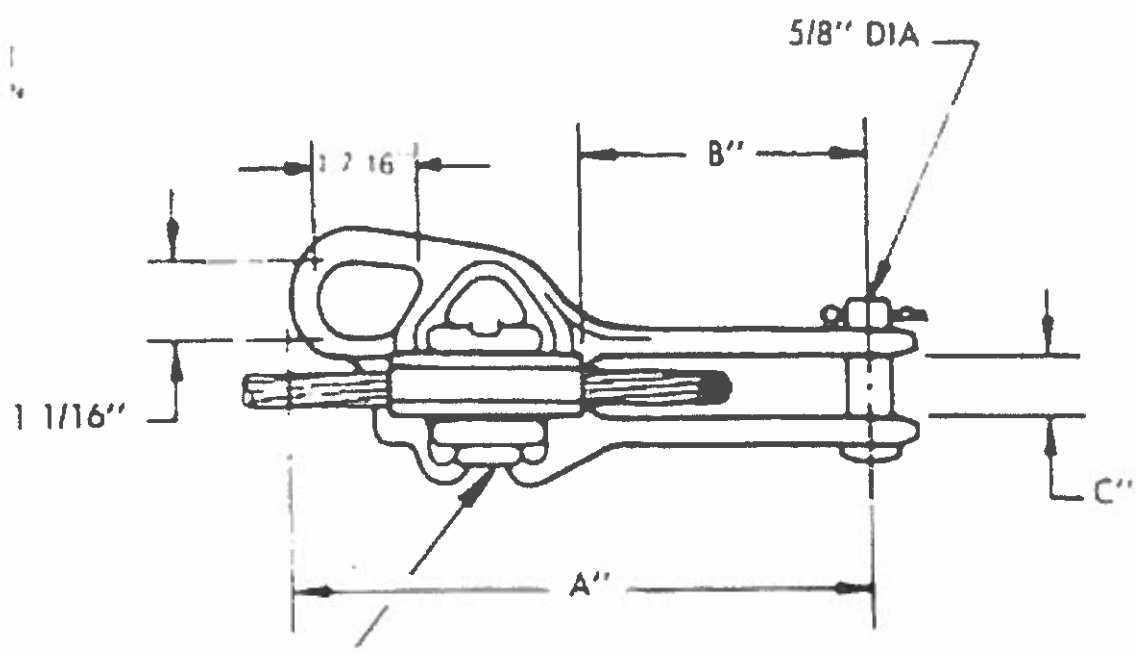
GPA Index No.	Conductor Dia. Inches		"U" Bolt		Ultimate Strength Lbs.
	Max.	Min.	Number	Size	
SSOC0156	.721	.30	4	1/2"	20,000
SSOC0178	1.318	.71	5	5/8"	30,000

Dimension – Inches

GPA Index No.	A	B	C	D	E	R
SSOC0156	10	9-1/2	1	5/8	-	3-3/4
SSOC0178	14-15/16	13-11/16	1-1/2	3/4	2-7/8	7-1/2

EFFECTIVE DATE: 1/30/17      ISSUED: [Signature]      APPROVED: [Signature]

 <p>GUAM POWER AUTHORITY HAGATNA, GUAM</p>	<p>SPECIFICATION No. E-011</p>	<p>Page 6 of 15</p>
		<p>December 12, 2016</p>
		<p>REV. 2</p>
<p>PREPARED BY THE ENGINEERING DEPARTMENT</p>		



CLAMP, STRAIGHT LINE SIDE OPENING DEADEND

7.0 CLAMP, STRAIGHT LINE SIDE OPENING DEADEND

DESIGN FEATURES


- 7.1 The Body and Keeper shall be made of A356-T6 aluminum alloy; Hardware – Hot dip galvanized steel; Cotter Pin & Compression Spring – Stainless Steel; Fittings – Ductile iron hot dip galvanized.
- 7.2 The clamp shall be clevis type to be connected to the insulator with a clevis eye
- 7.3 The clamp shall be used for #2 to 927.2 MCM aluminum conductors on GPA poles.
- 7.4 Index No. SSOC0150 and SSOC0151 shall be for #2 AWG to 336.4 MCM, and 927.2 MCM aluminum conductors respectively.

GPA Index No.	Conductor Dia. Inches		"U" Bolt		Ultimate Strength Lbs.
	Max.	Min.	Number	Size	
SSOC0150	0.880	0.250	2	1/2"	10,000
SSOC0151	1.160	0.680	4	1/2"	27,000

Dimension – Inches

GPA Index No.	A	B	C
SSOC0150	12.38	7	0.94
SSOC0151	19.88	8	1.25

EFFECTIVE DATE: 1/30/17	ISSUED: [Signature]	APPROVED: [Signature]
-------------------------	---------------------	-----------------------



**GUAM POWER AUTHORITY**  
HAGATNA, GUAM

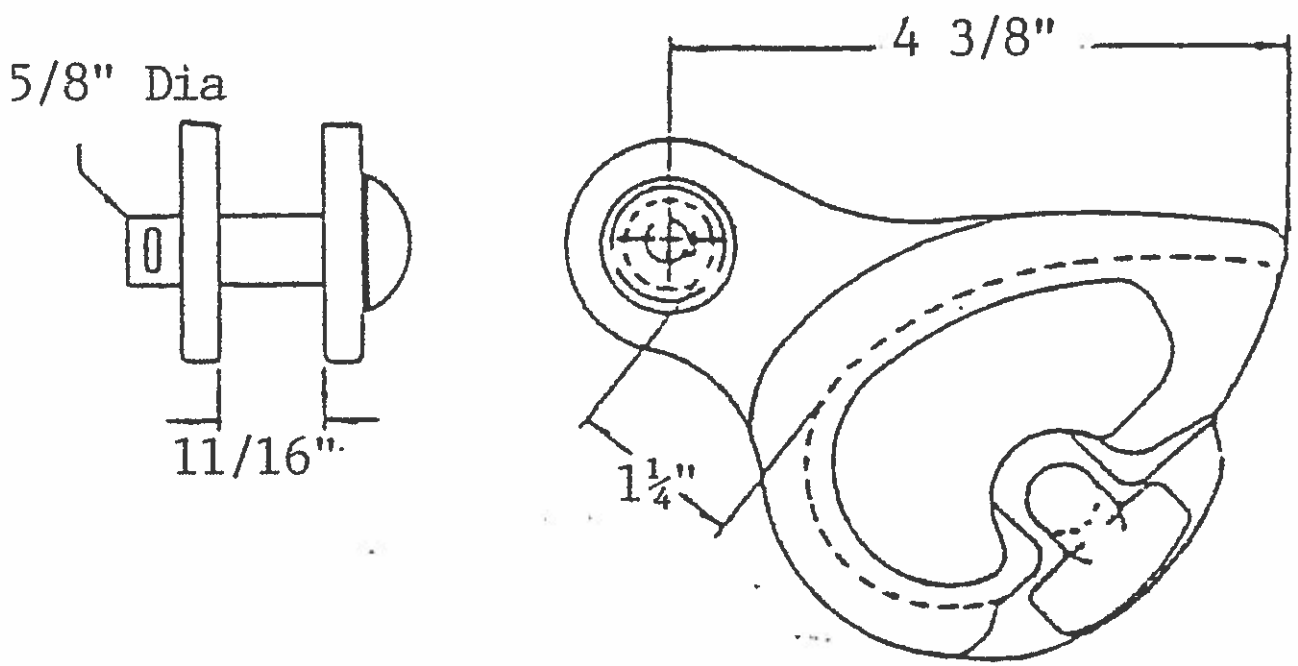
PREPARED BY THE ENGINEERING DEPARTMENT

**SPECIFICATION No. E-011**

Page 7 of 15

December 12, 2016

REV. 2



**CLAMP, STRAIN GALVANIZED**

**8.0 CLAMP, STRAIN GALVANIZED**

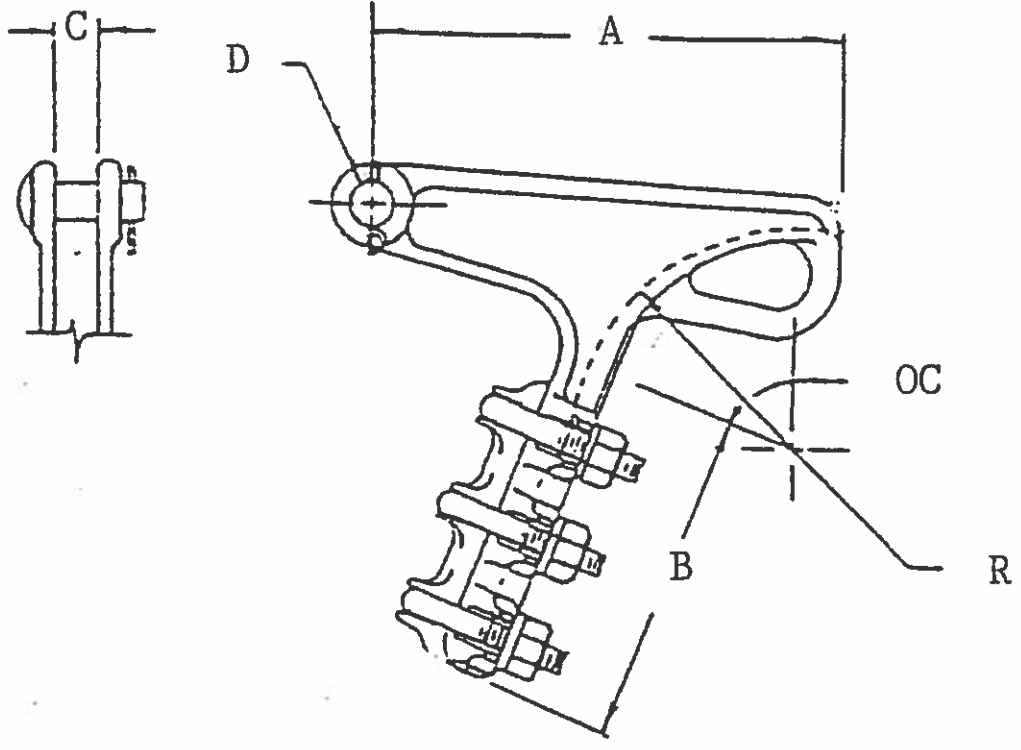
**DESIGN FEATURES**

- 8.1 Clamp shall be made of cast malleable iron and the J-bolt keeper from drop forged steel. Ferrous parts shall be hot dip galvanized.
- 8.2 The clamp shall be clevis type to be connected to the insulator with a clevis eye.
- 8.3 The clamp shall be used for #6 to 1/0 copper conductors.

GPA Index No.	Conductor Diameter (Inches)		Ultimate Strength Lbs.
	Max	Min	
SSOC0159	.375	.156	8,000

EFFECTIVE DATE: 1/30/17	ISSUED: 	APPROVED: 
-------------------------	---	---

 <p>GUAM POWER AUTHORITY HAGATNA, GUAM</p>	<p>SPECIFICATION No. E-011</p>	<p>Page 8 of 15</p>
		<p>December 12, 2016</p>
		<p>REV. 2</p>
<p>PREPARED BY THE ENGINEERING DEPARTMENT</p>		



CLAMP, STRAIN GALVANIZED

9.0 CLAMP, STRAIN GALVANIZED

DESIGN FEATURES


- 9.1 The Body and Keeper shall be made of hot dip galvanized ductile iron; Hardware – Hot dip galvanized steel; Cotter Pin – Stainless Steel; Fittings – Ductile iron hot dip galvanized.
- 9.2 The clamp shall be clevis type to be connected to the insulator with a clevis eye.
- 9.3 The clamp shall be used for #2 to 4/O copper conductors.

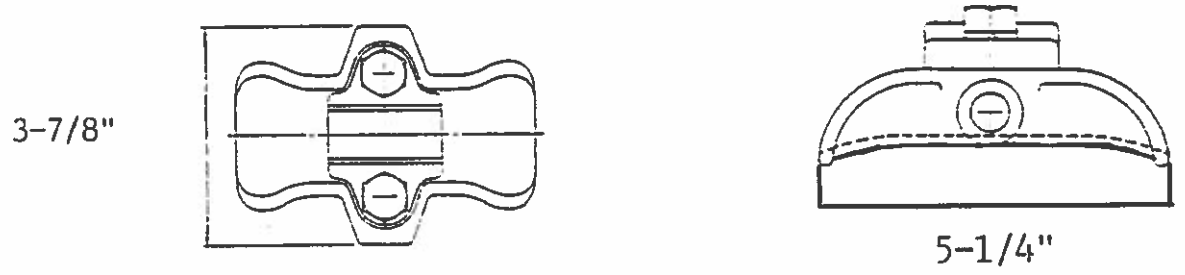
GPA Index No.	Conductor Dia. Inches		"U" Bolt		OC DEG.	Ultimate Strength Lbs.
	Max.	Min.	Number	Size		
SSOC0158	.68	.30	3	1/2"	80	20,000

Dimension – Inches

GPA Index No.	A	B	C	D	E	R
SSOC0158	10	9-1/2	1	5/8	-	3-3/4

EFFECTIVE DATE: 1/30/17	ISSUED: 	APPROVED: 
-------------------------	---	---

 <p>GUAM POWER AUTHORITY HAGATNA, GUAM</p>	<p>SPECIFICATION No. E-011</p>	<p>Page 9 of 15</p>
		<p>December 12, 2016</p>
<p>PREPARED BY THE ENGINEERING DEPARTMENT</p>		<p>REV. 2</p>



CLAMP LINE POST STRAIGHT

10.0 CLAMP, LINE POST STRAIGHT

DESIGN FEATURES

- 10.1 Clamps are for uses with both upright and horizontally mounted clamp top line post insulators. Clamp shall accommodate conductor diameters ranging from .35" through 1.50".
- 10.2 Clamps shall be mounted on a metal cap cemented to the top of the line post porcelain.
- 10.3 Straight line clamps shall be designed to hold conductors without damage on tangents and line angles up to 15 degrees when the clamp is installed to bisect the angle (7-1/2 degrees on each side).
- 10.4 The clamps shall accommodate vertical angles up to a maximum of 40 degrees (20 degrees each side of clamp).

GPA Index No.	Conductor Diameter Maximum Inches	Conductor Diameter Minimum Inches
SSOC0172	.84	.35
SSOC0175	1.50	1.00

EFFECTIVE DATE: 1/30/17	ISSUED: [Signature]	APPROVED: [Signature]
-------------------------	---------------------	-----------------------





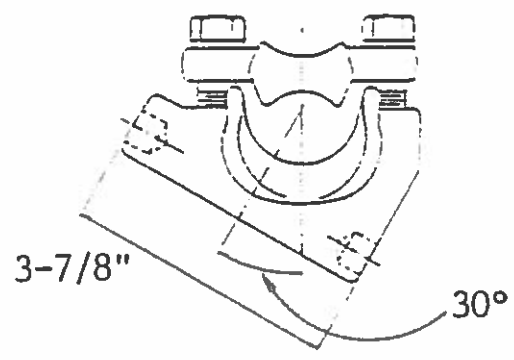
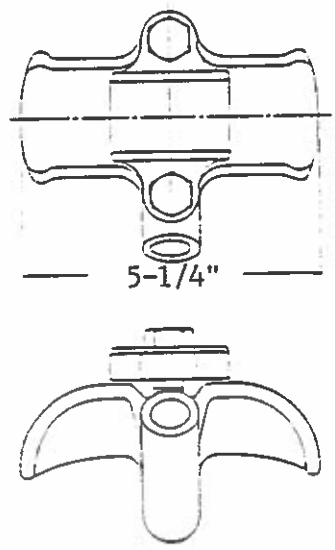
GUAM POWER AUTHORITY  
HAGATNA, GUAM

SPECIFICATION No. E-011

December 12, 2016

PREPARED BY THE ENGINEERING DEPARTMENT

REV. 2



CLAMP, LINE POST ANGLE


11.0 CLAMP, LINE POST ANGLE

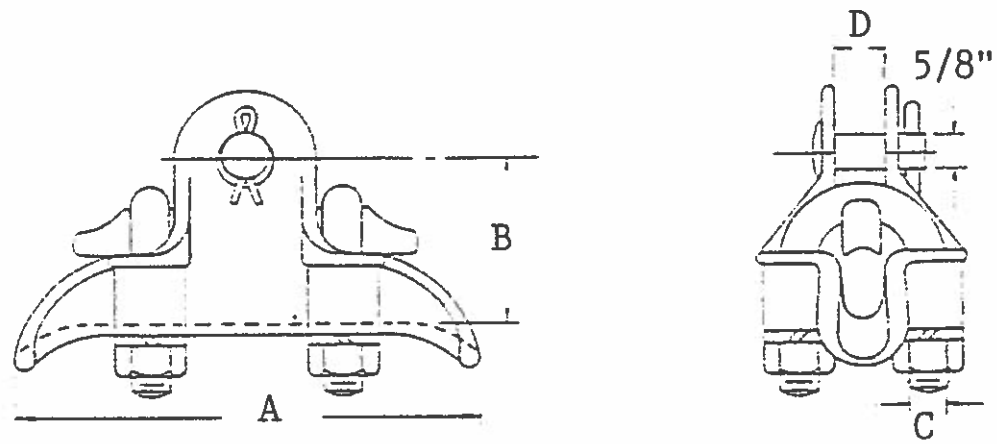
DESIGN FEATURES

- 11.1 Angle clamps are used for turning larger angles than are possible with standard clamp.
- 11.2 Clamps shall be interchangeable with standard clamp top line clamps designed for use on upright or horizontally mounted.
- 11.3 Angle clamps shall be designed to accommodate line angles up to 30 degrees when clamp is installed to bisect line angle (15 degrees each side) and vertical angles to 40 degrees.

GPA Index No.	Conductor Diameter Maximum Inches	Conductor Diameter Minimum Inches
SSOC0173	.84	.35
SSOC0176	1.65	1.00

EFFECTIVE DATE: 1/20/17	ISSUED: [Signature]	APPROVED: [Signature]
-------------------------	---------------------	-----------------------

 <p>GUAM POWER AUTHORITY HAGATNA, GUAM</p>	<p>SPECIFICATION No. E-011</p>	<p>Page 11 of 15</p>
		<p>December 12, 2016</p>
		<p>REV. 2</p>
<p>PREPARED BY THE ENGINEERING DEPARTMENT</p>		



CLAMP, STATIC STRAIGHT


12.0 CLAMP, STATIC STRAIGHT

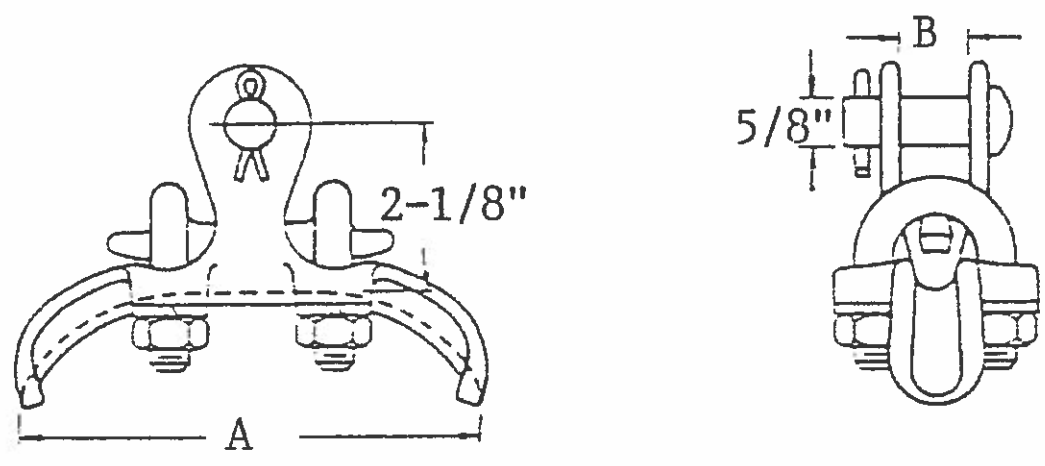
DESIGN FEATURES

- 12.1. The clamp body, keeper, and connector fittings shall be malleable iron, hot dip galvanized. The cotter pin shall be bronze.
- 12.2. Clamp shall be attached to the structure with any standard link or shackle.
- 12.3. Dimensions and requirements are shown on the table below.

GPA Index No.	Connector Fitting	Cable Diameter, Inches		Dimensions, Inches				Ultimate Strength Pounds
		Max.	Min.	A	B	C	D	
SSOC0155	Clevis	.70	.30	7	2-1/4	1/2	25/32	18,000

EFFECTIVE DATE: 1/31/17	ISSUED: [Signature]	APPROVED: [Signature]
-------------------------	---------------------	-----------------------

 <p>GUAM POWER AUTHORITY HAGATNA, GUAM</p>	<p>SPECIFICATION No. E-011</p>	<p>Page 12 of 15</p>
		<p>December 12, 2016</p>
		<p>REV. 2</p>
<p>PREPARED BY THE ENGINEERING DEPARTMENT</p>		



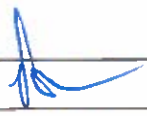

CLAMP, STATIC ANGLE


13.0 CLAMP, STATIC ANGLE

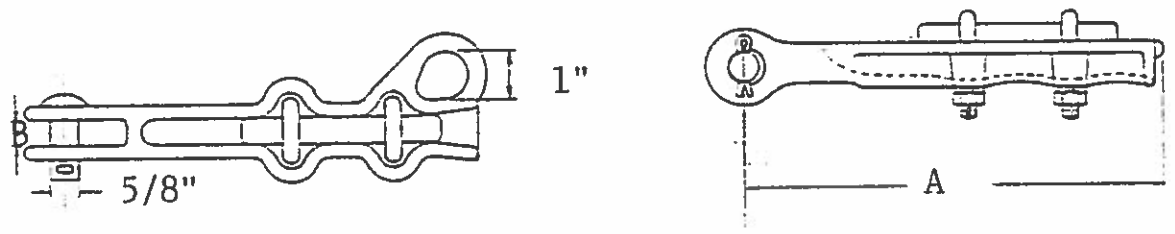
DESIGN FEATURES

- 13.1 The clamp body, keeper, and connector fittings shall be malleable iron, hot dip galvanized. The cotter pin shall be bronze.
- 13.2 Clamp shall be designed for ground wire support where construction requires turning up to 120 degrees.
- 13.3 Clamp shall be attached to the structure with any standard link or shackle.
- 13.4 Dimensions and requirements are shows on the table below.

GPA Index No.	Cable Diameter, Inches		Dimensions, Inches		Ultimate Strength Pounds
	Max.	Min.	A	B	
SSOC0161	.70	.30	6	1-1/8	18,000

EFFECTIVE DATE: 1/30/17	ISSUED: 	APPROVED: 
-------------------------	---	---

 <p><b>GUAM POWER AUTHORITY HAGATNA, GUAM</b></p> <p>PREPARED BY THE ENGINEERING DEPARTMENT</p>	<p><b>SPECIFICATION No. E-011</b></p>	<p>Page 13 of 15</p>
		<p>December 12, 2016</p>
		<p>REV. 2</p>



**CLAMP, STRAIN STATIC**

**14.0 CLAMP, STRAIN STATIC**

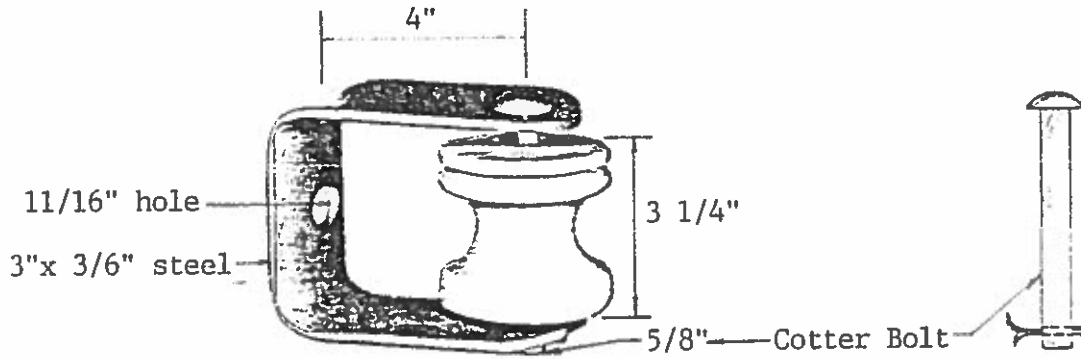
**DESIGN FEATURES**

- 14.1 The clamp body, keeper, and connector fittings shall be malleable iron, hot dip galvanized. The cotter pin shall be bronze.
- 14.2 Clamp shall be used for dead-ending distribution static wire where a strong clamp is required.
- 14.3 Clamp shall develop ample holding power for a wide range of copper, aluminum or ACSR primary feeder conductor sizes.
- 14.4 Dimensions and requirements are shown on the table below.

GPA Index No.	Connector Fitting	Cable Diameter, Inches		Dimensions, Inches		U-Bolts		Ultimate Strength Pounds
		Max.	Min.	A	B	No.	Size	
SSOC0154	Clevis	.62	.30	8-3/8	3/4	2	1/2	10,000

EFFECTIVE DATE: 1/30/17	ISSUED: 	APPROVED: 
-------------------------	---	---

 <p><b>GUAM POWER AUTHORITY HAGATNA, GUAM</b></p>	<p><b>SPECIFICATION No. E-011</b></p>	<p>Page 14 of 15</p>
		<p>December 12, 2016</p>
		<p>REV. 2</p>
<p>PREPARED BY THE ENGINEERING DEPARTMENT</p>		



CLEVIS, SECONDARY

INDEX No. SSOC0190

15.0 CLEVIS, SECONDARY

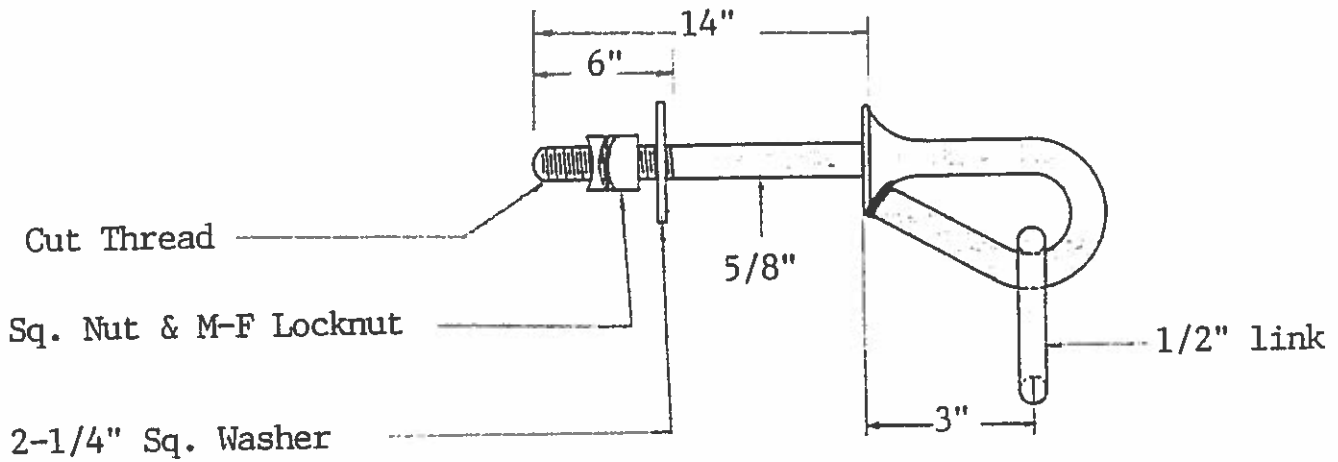
DESIGN FEATURES

15.1. Clevis shall be made of hot dipped galvanized steel with cotter bolt and pin.

15.2. Mechanical strength shall be made 3,000 pounds.

EFFECTIVE DATE: 1/30/17	ISSUED: 	APPROVED: 
-------------------------	---	---

 <p>GUAM POWER AUTHORITY HAGATNA, GUAM</p> <p>PREPARED BY THE ENGINEERING DEPARTMENT</p>	<p>SPECIFICATION No. E-011</p>	<p>Page 15 of 15</p>
		<p>December 12, 2016</p>
		<p>REV. 2</p>

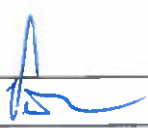



**SHIELD, STATIC WIRE SUPPORT**

**16.0 SHIELD, STATIC WIRE SUPPORT**

**DESIGN FEATURES**

- 16.1 Shield wire supports provide an efficient and inexpensive means for supporting static wire clamps.
- 16.2 Bracket portion is forged in one piece and the loop and solidly welded compete with link, square washer, square nut and lock nut as shown.
- 16.3 Shield wire support shall be hot dip galvanized.
- 16.4 Shank length 14 inches and thread length 6 inches.
- 16.5 GPA Index No. SSOS1166.

EFFECTIVE DATE: 1/30/17	ISSUED: 	APPROVED: 
-------------------------	---	---



GUAM POWER  
AUTHORITY

SPECIFICATION No. E-016

Page 1 of 17

January 30, 2017

PREPARED BY THE ENGINEERING DEPARTMENT

REV. 8

GUAM POWER AUTHORITY  
P.O. BOX 2977  
HAGATNA, GUAM 96932

TRANSMISSION & DISTRIBUTION SPECIFICATION  
Specification No. E-016  
For

**CONDUCTOR CONNECTORS**

EFFECTIVE DATE: 1/30/17	ISSUED: 	APPROVED: 
-------------------------	---	---



GUAM POWER  
AUTHORITY

SPECIFICATION No. E-016

January 30, 2017

PREPARED BY THE ENGINEERING DEPARTMENT

REV. 8

TABLE OF CONTENTS

SECTION		PAGE
1.0	Scope	2
2.0	Applicable Publication	2
3.0	Deviations and Non-conformance Requirements	2
4.0	Submittals	3
5.0	Design	3
6.0	Construction	3
7.0	Split Bolt Connector	5
8.0	Wedge Connector	6
9.0	Bail Clamp	8
10.0	Hot Line Clamp Connector	9
11.0	Automatic Splice Connector	10
12.0	Compression Splice Connector	11
13.0	Ground Rod Clamp Connector	12
14.0	Compression Jumper Terminal	13
15.0	Stem Connectors	14
16.0	Single Bolt Connector	15
17.0	Multiple Bolt Connector	16
18.0	Quality Control	17
19.0	Packing & Shipping	17

EFFECTIVE DATE: 1/30/17	ISSUED: 	APPROVED: 
-------------------------	---	---





GUAM POWER AUTHORITY

SPECIFICATION No. E-016

January 30, 2017

PREPARED BY THE ENGINEERING DEPARTMENT

REV. 8

1.0 SCOPE

- 1.1 This specification covers GPA requirements for the different types of overhead line connectors used in the Transmission and Distribution System of GPA.
- 1.2 The connectors are intended for use in tropical weather conditions with a corrosive sea air atmosphere, sustained winds of 155mph with gusts of 180mph and subject to moderate and severe earthquakes.

2.0 APPLICABLE PUBLICATION

The connectors shall meet the requirements of the following standards, including the latest revision with respect to material, design and tests.

- 2.1 AMERICAN NATIONAL STANDARDS INSTITUTE, INC. (ANSI)
  - 486B - Wire connections for use with aluminum conductors.
  - C119.4 - Connectors to use between aluminum-to-aluminum or aluminum-to-copper conductors.


3.0 DEVIATIONS AND NON-CONFORMANCE REQUIREMENTS

- 3.1 Deviations from this specification or changes in the material or design after the purchase order has been placed must be approved by the GPA Engineering Division and acknowledged by a Purchase Order Amendment issued by GPA.
- 3.2 Units received with deviations or non-conformances that are not acknowledged per Section 3.1 are subject to rejection. The Supplier of rejected units is responsible for any corrective action including but not limited to materials, labor and transportation necessary to dispose of or make the units conform to the specification.
- 3.3 Notification of defective units discovered before or after installation that are believed to be inherent to manufacturing problems or workmanship shall be made and forwarded to the Supplier. The description of the item, documentation of the problem and the described information, disposition and/or follow-up (as appropriate) that GPA expects from the Supplier will be specified. The response shall be made within thirty (30) days unless an extension IS acknowledged and approved in writing by the GPA Manager of Engineering.

4.0 SUBMITTALS

The bidder shall provide with their bid or proposal a written notification of any deviations from this specification. Submittals shall include product and data sheets, part numbers, a statement of compliance to this specification and other relevant information necessary to

EFFECTIVE DATE: 1/30/17	ISSUED: [Signature]	APPROVED: [Signature]
-------------------------	---------------------	-----------------------

 <p>GUAM POWER AUTHORITY</p>	<p>SPECIFICATION No. E-016</p>	<p>Page 4 of 17</p>
		<p>January 30, 2017</p>
<p>PREPARED BY THE ENGINEERING DEPARTMENT</p>	<p>REV. 8</p>	

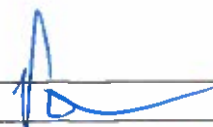

evaluate the submittal. The acceptance of GPA shall in no way abrogate the requirements of this specification.

5.0 DESIGN

- 5.1 Connectors shall be designed such that they will be installed with a minimum of effort, run cooler than the conductors being joined, and provide optimum performance under all operating conditions.
- 5.2 Spacers when provided shall increase the contact area and prevent excessive distortion and cutting of the stranded conductors.
- 5.3 Connectors shall have flared ends to prevent nicking of the conductors.
- 5.4 Connectors shall be made to provide maximum pressure and assure secure connections on all combinations of run and tap conductors.

6.0 CONSTRUCTION

- 6.1 Connectors shall be made of silicon bronze, copper or aluminum alloy. Material shall be of high strength, and resistant to corrosion, galling and cracking.
- 6.2 Threads shall be chemically treated to minimize friction and have free running nuts to develop maximum clamping pressure.
- 6.3 All materials shall be durable and made of the highest quality to meet the requirements of the intended use.

EFFECTIVE DATE: 1/30/17	ISSUED: 	APPROVED: 
-------------------------	---	---

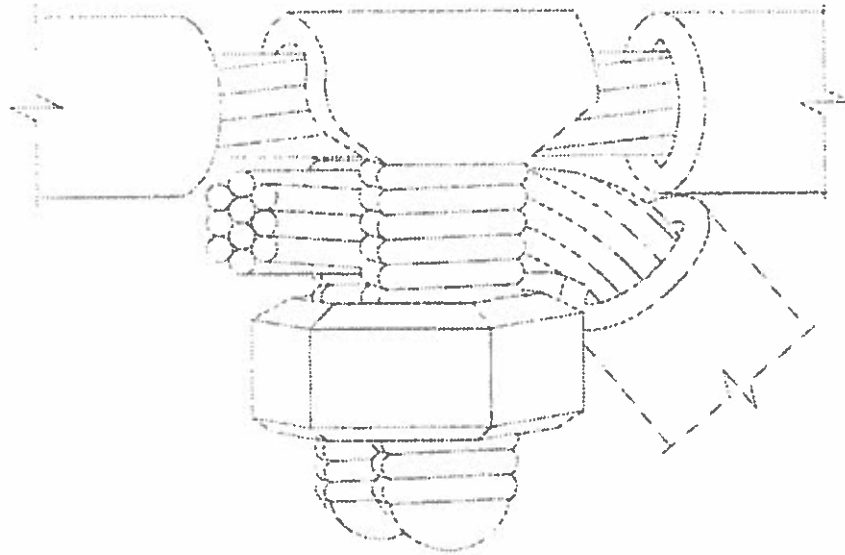


Figure A  
SPLIT BOLT CONNECTOR

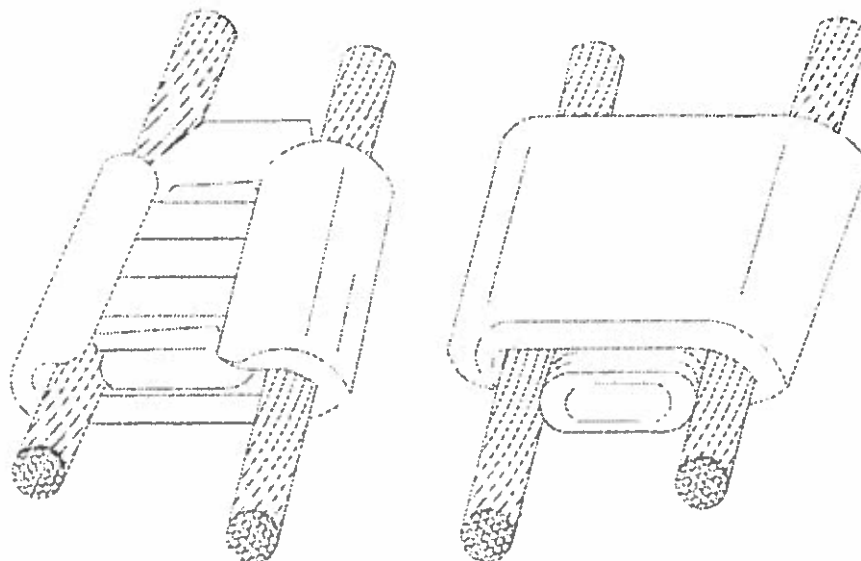
7.0 SPLIT BOLT CONNECTOR

DESIGN FEATURES

- 7.1 Connector shall be compact, high strength, high copper alloy with free-running threads and easy to grip wrench flats.
- 7.2 Dimensions and requirements are shown in Table 1.

Table 1

GPA INDEX NUMBER	RANGE FOR EQUAL RUN AND TAP (AWG)	MINIMUM TAP WITH MAX RUN (AWG)
SSOC0357	#2 Solid - #4/0 Strand	#6 Solid
SSOC0358	#6 Strand - #2 Strand	#14 Strand
SSOC0359	#10 Strand- #8 Strand	#14 Strand
SSOC0360	#4 Strand- #1/0 Strand	#14 Strand
SSOC0361	#2 Strand- #2/0 Strand	#14 Strand
SSOC0362	#2/0 Strand - #500 KCMIL	#2/0 Strand
SSOC0363	#4/0 Strand- #750 KCMIL	#4/0 Strand
SSOC0364	#1 Strand- #250KCMIL	#8 Strand
SSOC0372	#4 Solid -#8 Solid	#14 Solid



**Figure B**  
**WEDGE CONNECTOR**

**8.0 WEDGE CONNECTOR**

**DESIGN FEATURES**

- 8.1 For Aluminum Taps: The "C" and wedge shall be made of aluminum alloy. These are to be used to connect solid aluminum and stranded aluminum, Aluminum alloy and stranded aluminum composite conductors including AAC, AAAC, ASCR, ACAR, AW, and ACSR/AW.
- 8.2 For Copper Taps: The "C" shall be made of an aluminum bronze alloy and the wedge made of a copper alloy. These are to be used to connect copper conductors in highly corrosive environments.
- 8.3 A locking tab shall be provided to prevent the wedge from loosening after it has been driven into position. Each connection should allow visual inspection by checking wedge movement and locking tab.
- 8.4 Taps shall allow connecting multiple conductor combinations. Design must be such that there is no damage to the conductor when installing or removing tab.
- 8.5 The "C" and wedge shall be factory coated with an inhibitor containing abrasive particles to help clean the contact surfaces during installation.



GUAM POWER  
AUTHORITY

PREPARED BY THE ENGINEERING DEPARTMENT

SPECIFICATION No. E-016

Page ~~Page~~ 29 of 69

January 30, 2017

REV. 8

- 8.6 Individual tap packages shall be imprinted with applicable conductor combinations. Packages and labels shall be color coded to easily match taps with proper tool and shell combination.
- 8.7 Dimensions and requirements are shown in Table 2.

Table 2

GPA INDEX NUMBER	CONNECTOR SIZE AWG
SSOC0268	#2 Strand- #2 Strand Aluminum
SSOC0269	#1/0 Strand- #1/0 Strand Aluminum
SSOC0270	#2/0 Strand - #2/0 Strand Aluminum
SSOC0271	#1/0 Strand- #4/0 Strand Aluminum
SSOC0272	#4/0 Strand - #4/0 Strand Aluminum
SSOC0273	#1/0 Strand- #2 Strand Aluminum
SSOC0274	#2/0 Strand Aluminum - #336 KCMIL
SSOC0275	#4/0 Strand - #336 KCMIL
SSOC0276	#927 KCMIL Aluminum
SSOC0405	#336.4-KCMIL - #336.4KCMIL

EFFECTIVE DATE:

1/30/17

ISSUED:

APPROVED:



GUAM POWER  
AUTHORITY

PREPARED BY THE ENGINEERING DEPARTMENT

SPECIFICATION No. E-016

January 30, 2017

REV. 8

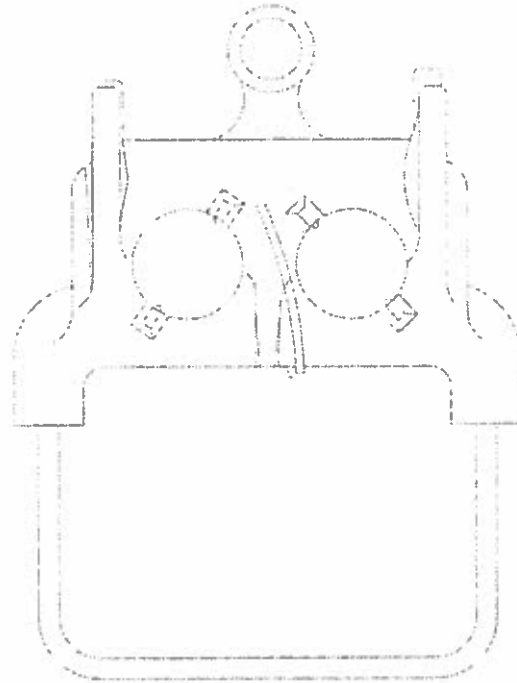


Figure C  
BAIL CLAMP

9.0 BAIL CLAMP

DESIGN FEATURES

- 9.1 The body casting of the clamp shall be made of strong, lightweight, heat-treated aluminum alloy for compatibility with all-aluminum conductors.
- 9.2 The clamp shall be of the snap-on type with bolts for tightening and for securing the conductor and bail ends to prevent loosening under thermal and vibration effects.
- 9.3 The clamp shall have a contoured main line contact to securely grip the conductor and add to the resilience of the gripping action.
- 9.4 Dimensions & requirements are shown in Table 3.

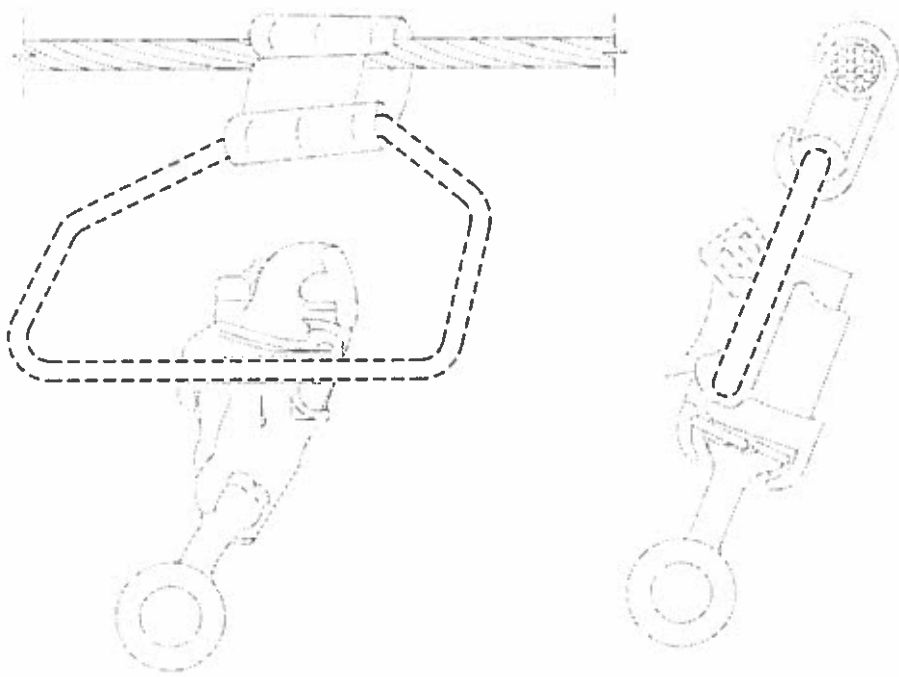
Table 3

INDEX NUMBER	CONDUCTOR RANGE	HARDWARE	BAIL TYPE
SSOC0185	#6 Strand to #1/0 Strand	Plated Steel With Eye Nuts	#2 Solid Cu., Plated
SSOC0186	#1/0 Strand to #336 KCMIL	Aluminum With Eye Nut	#2/0 Solid Cu., Plated

EFFECTIVE DATE: 1/30/17

ISSUED:

APPROVED:



**Figure D  
HOT LINE CLAMP CONNECTOR**

**10.0 HOT LINE CLAMP CONNECTOR**

**DESIGN FEATURES**

- 10.1 Clamp shall be cast of high strength, corrosion resistant silicon bronze and plated for use with all combinations of conductor-copper, aluminum, galvanized guy strand, etc.
- 10.2 Dimensions and requirements are shown in Table 4.

Table 4

GPA INDEX NUMBER	CONDUCTOR SIZE AWG
SSOC0166	#2/0 Strand
SSOC0171	#4/0 Strand


 <p>GUAM POWER AUTHORITY</p>	<p>SPECIFICATION No. E-016</p>	<p>January 30, 2017</p>
		<p>REV. 8</p>
<p>PREPARED BY THE ENGINEERING DEPARTMENT</p>		



Figure E  
AUTOMATIC SPLICE CONNECTOR

11.0 AUTOMATIC SPLICE CONNECTOR

DESIGN FEATURES

- 11.1 The splicing shall be designed for high tension lines and shall be fully automatic and not of the compressed type.
- 11.2 The connector shall be for solid and stranded-copper conductors.
- 11.3 Dimensions and requirements are shown in Table 5.

Table 5  
COPPER

GPA INDEX NO.	WIRE SIZE AWG
SSOS1213	#2
SSOS1215	#2/0
SSOS1216	#4/0





GUAM POWER AUTHORITY

PREPARED BY THE ENGINEERING DEPARTMENT

SPECIFICATION No. E-016

January 30, 2017

REV. 8



Figure F  
COMPRESSION SLEEVE SPLICE CONNECTOR

12.0 COMPRESSION SLEEVE SPLICE CONNECTOR

DESIGN FEATURES

- 12.1 Connector must meet industry requirements for full tension splicing per ANSI C119.4.
- 12.2 The splicing shall be designed for high tension lines and shall be compression type.
- 12.3 The connector shall be for stranded aluminum, made of aluminum tubing with a staked-in cable stop.
- 12.4 The connector shall be pre-filled with an anti-corrosive paste to create a gas tight joint and prevent corrosion.
- 12.5 Dimensions and requirements are shown in Table 6.

Table 6

ALUMINUM	
GPA INDEX NO.	WIRE SIZE (AWG)
SSOS1219	#2 AAAC
SSOS1220	#2/0 AAAC
SSOS1212	#336.4 AAC
SSOS1218	#927 AAAC
COPPERWELD STATIC WIRE	
SSOS1203	3/8" (7#8)



GUAM POWER  
AUTHORITY

SPECIFICATION No. E-016

January 30, 2017

PREPARED BY THE ENGINEERING DEPARTMENT

REV. 8

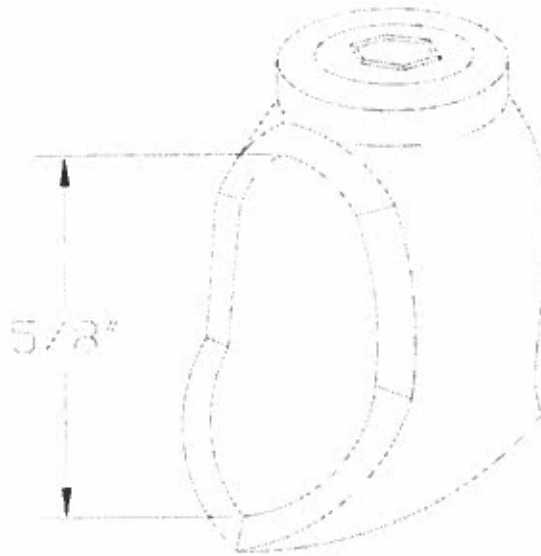


Figure G  
GROUND ROD CLAMP CONNECTOR

### 13.0 GROUND ROD CLAMP CONNECTOR (SSOG0670)

#### DESIGN FEATURES

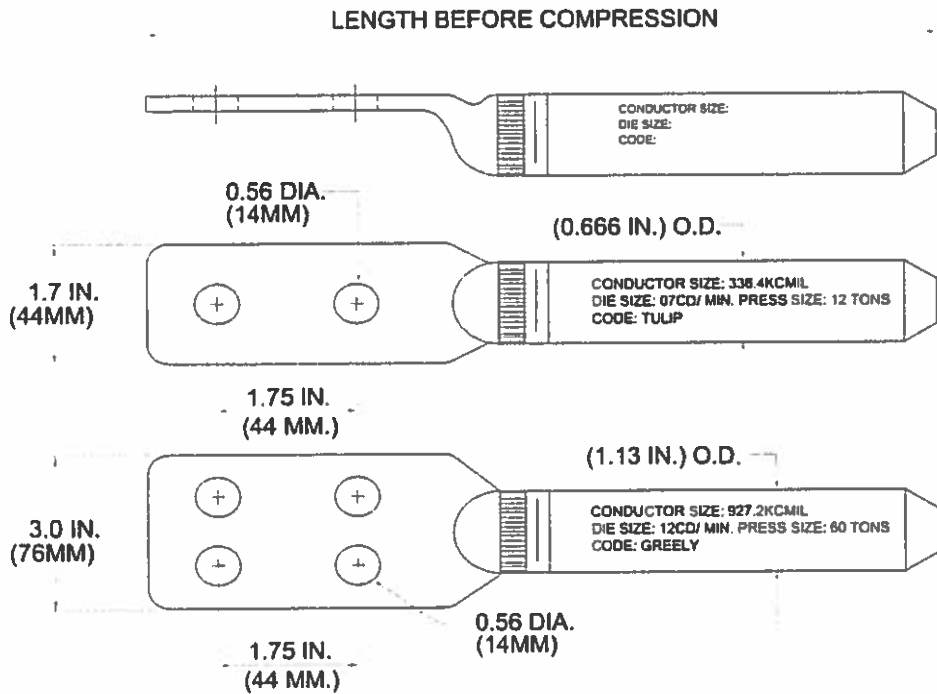
- 13.1 The copperweld ground rod clamps shall provide permanent low-resistance, copper connections.
- 13.2 The connector shall be made with a strong bronze body and especially designed for use with copperweld ground rods. These connectors shall provide a high-pressure contact between the rod and the grounding wire and allow for easy disconnection.
- 13.3 Copperweld ground rod clamps shall be furnished with non-ferrous set screws.
- 13.4 Clamp shall fit 5/8" grounding rod and accommodate the size of ground wires from #1/0 to #8 AWG.

EFFECTIVE DATE:

1/30/17

ISSUED:

APPROVED:



**Figure H  
COMPRESSION JUMPER TERMINAL**

**14.0 COMPRESSION JUMPER TERMINAL (SSOT 1333)**

**DESIGN FEATURES**

- 14.1 The jumper terminal material shall be Seamless Extruded Aluminum Alloy Tube Hardware-Aluminum Alloy.
- 14.2 Jumper terminals are prefilled with inhibitor. Taper and pad are coated with protective strippable plastic and bore is capped.
- 14.3 Standard hardware shall be stainless steel and includes one Yz-13 bolt, nut and two washers per .56 diameter hole.
- 14.4 Tongue holes shall follow NEMA spacing. Dimensions and requirements are shown in Table 7.

Table 7

INDEX NUMBER	CONDUCTOR SIZE	LENGTH BEFORE COMPRESSION	PAD WIDTH
SSOT1333	#336.4 kcmil (TULIP)	9.2 inches(234mm)	1.7 (44mm) 2 holes
SSOT1336	#927.2 kcmil (GREELY)	12.7inches (323mm)	3.0 (76mm) 4 holes

 <p>GUAM POWER AUTHORITY</p>	<p>SPECIFICATION No. E-016</p>	<p>January 30, 2017</p>
		<p>REV. 8</p>
<p>PREPARED BY THE ENGINEERING DEPARTMENT</p>		



Figure I  
STEM CONNECTORS

15.0 STEM CONNECTORS

DESIGN FEATURES

- 15.1 The stem connectors shall be used with cold shrink terminations.
- 15.2 The stem connectors shall have copper stems.
- 15.3 Stem connectors shall have aluminum barrels with antioxidant paste.
- 15.4 Stem connectors shall be used for copper or aluminum conductors.
- 15.5 Stem connectors shall meet dimensions and requirements shown in Table 8.

Table 8

INDEX NUMBER	CONDUCTOR SIZE	STEM DIAMETER
SSUC0250	#2	0.257 inches (6.528 mm)
SSUC0251	#2/0	0.325 inches (8.255 mm)



GUAM POWER  
AUTHORITY

SPECIFICATION No. E-016

January 30, 2017

PREPARED BY THE ENGINEERING DEPARTMENT

REV. 8

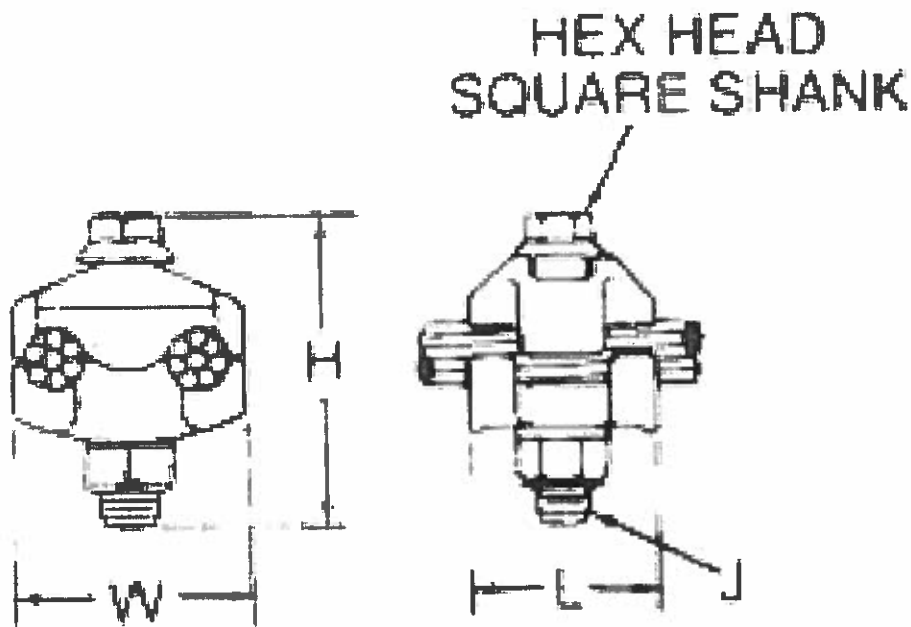


Figure J  
Single Bolt Connector

## 16.0 SINGLE BOLT CONNECTOR

### DESIGN FEATURES

- 16.1 The connector shall be for use with aluminum to aluminum and aluminum to copper conductor connections.
- 16.2 The body shall be made from aluminum alloy.
- 16.3 The hardware shall be made from galvanized steel.
- 16.4 Single bolt connector dimensions are shown in Table 9.

Table 9

INDEX NUMBER	CONDUCTOR RANGE		DIMENSIONS (INCHES)			
	MAIN	TAP	L	W	H	J
SSOC0280	#8 Sol. - #2/0 AAC, #8 - 2/0 ACSR	#8 Sol. - #2/0 AAC, #8 - 2/0 ACSR, #8 Sol. - 2/0 Str. Cu.	1-3/8	1-21/32	2	3/8



GUAM POWER  
AUTHORITY

SPECIFICATION No. E-016

January 30, 2017

PREPARED BY THE ENGINEERING DEPARTMENT

REV. 8

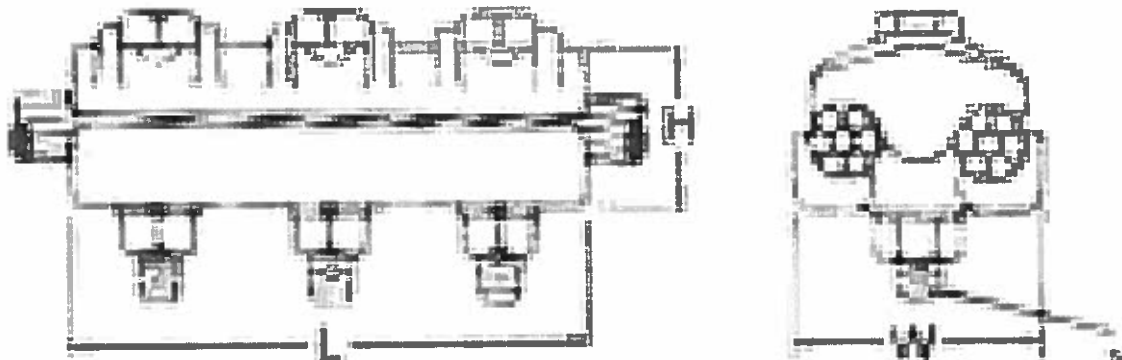


FIGURE 2

Figure K  
Multiple Bolt Connector

## 17.0 MULTIPLE BOLT CONNECTOR

### DESIGN FEATURES

- 17.1 The connector shall be for use with aluminum to aluminum and aluminum to copper conductor connections.
- 17.2 The body shall be made from aluminum alloy.
- 17.3 The hardware shall be made from galvanized steel.
- 17.4 Multiple bolt connector dimensions are shown in Table 10.

Table 10

INDEX NUMBER	CONDUCTOR RANGE		DIMENSIONS (INCHES)			
	MAIN	TAP	L	W	H	J
SSOC0281	350 – 556.5 MCM AAC, 336.4 – 477 ACSR	350 – 556.5 MCM AAC, 336.4 – 477 ACSR, 350 – 550 MCM Cu	5-1/4	2-13/16	2-1/2	1/2

EFFECTIVE DATE: 1/30/17

ISSUED: 

APPROVED: 



GUAM POWER  
AUTHORITY

PREPARED BY THE ENGINEERING DEPARTMENT

SPECIFICATION No. E-016

Page 17 of 69

January 30, 2017

REV. 8

## 18.0 QUALITY CONTROL

- 18.1 The supplier shall have a quality control program to ensure compliance with the requirements of this specification. The program shall be documented and available for GPA's review if requested.
- 18.2 Documentation of the quality control program shall indicate where in the production and manufacturing process the quality checks are taken, describe the purpose of the checks, and describe the nature of the check, e.g. if check is visual only or if electrical or mechanical testing is used.

## 19.0 PACKING AND SHIPPING

- 19.1 The supplier shall have adequate work and inspection instructions for handling, storage, prevention, packing and shipping to protect the quality of the connectors and to prevent damage, loss and deterioration of the material.
- 19.2 The connectors shall be placed and crated with suitable materials to prevent damage and injury during shipment and handling operations.

EFFECTIVE DATE:

*[Signature]*

ISSUED:

*[Signature]*

APPROVED:

*[Signature]*



# GUAM POWER AUTHORITY

ATURIDÁT ILEKTRESEDÁT GUÅHAN  
P.O.BOX 2977 • HAGÁTÑA, GUAM U.S.A. 96932-2977

Telephone Nos. (671) 648-3054/55 Fax: 648-3165

Lourdes A. Leon Guerrero  
I Maga 'håga

Joshua F. Tenorio  
I Sigundo Maga 'låhi

## BID BOND

NO.: \_\_\_\_\_

KNOW ALL MEN BY THESE PRESENTS that \_\_\_\_\_, as

Principal Hereinafter called the Principal, and (Bonding Company), \_\_\_\_\_  
A duly admitted insurer under the laws of the Territory of Guam, as Surety, hereinafter called the Surety are  
Held firmly bound unto the Territory of Guam for the sum of \_\_\_\_\_ Dollars  
(\$ \_\_\_\_\_), for Payment of which sum will and truly to be made, the said Principal and the said  
Surety bind ourselves, our heirs, executors, administrators, successors and assigns, jointly and severally, firmly  
by these presents.

WHEREAS, the Principal has submitted a bid for (identify project by number and brief description)

\_\_\_\_\_

NOW, THEREFORE, if the Territory of Guam shall accept the bid of the Principal and the Principal shall  
enter into a Contract with the Territory of Guam in accordance with the terms of such bid, and give such bond or  
bonds as my be specified in bidding or Contract documents with good and sufficient surety for the faithful  
performance of such Contract Documents with good and sufficient surety for the faithful performance of such  
Contract and for the prompt payment of labor and material furnished in the prosecution thereof, or in the event  
of the failure of the Principal to enter such Contract and give such bond or bonds, if the Principal shall pay to the  
Territory of Guam the difference not to exceed the penalty hereof between the amounts specified in said bid  
and such larger amount for which the Territory of Guam may in good faith contract with another party to perform  
work covered by said bid or an appropriate liquidated amount as specified in the Invitation for Bids then this  
obligation shall be null and void, otherwise to remain full force and effect.

Signed and sealed this \_\_\_\_\_ day of \_\_\_\_\_ 2023.

\_\_\_\_\_  
(PRINCIPAL) (SEAL)

\_\_\_\_\_  
(WITNESS)

\_\_\_\_\_  
(TITLE)

\_\_\_\_\_  
(MAJOR OFFICER OF SURETY)

\_\_\_\_\_  
(TITLE)

\_\_\_\_\_  
(TITLE)

\_\_\_\_\_  
(RESIDENT GENERAL AGENT)

SEE INSTRUCTIONS FOR SUPPORTING DOCUMENTS REQUIRED.

### INSTRUCTION TO PROVIDERS:



NOTICE to all Insurance and Bonding Institutions:

The Bond requires the signatures of the Vendor, two (2) major Officers of the Surety and Resident General Agent, if the Surety is a foreign or alien surety.

When the form is submitted to the Guam Power Authority, it should be accompanied with copies of the following:

1. Current Certificate of Authority to do business on Guam issued by the Department of Revenue and Taxation.
2. Power of Attorney issued by the Surety to the Resident General Agent or the following:
  - a. Current Sworn Annual Report (Limited Liability Company (LLC) and/or Corporation) or;
  - b. Current Renewal of Annual Limited Liability Partnership (LLP)

The following reference links below are for reference:

[https://www.govguamdocs.com/revtax/docs/SwornAnnualReport\\_LLC\\_0609.pdf](https://www.govguamdocs.com/revtax/docs/SwornAnnualReport_LLC_0609.pdf)

[https://www.govguamdocs.com/revtax/docs/SwornAnnualReport\\_Corporations.pdf](https://www.govguamdocs.com/revtax/docs/SwornAnnualReport_Corporations.pdf)

[https://www.govguamdocs.com/revtax/docs/Renewal\\_LLP\\_Registration\\_r1106.pdf](https://www.govguamdocs.com/revtax/docs/Renewal_LLP_Registration_r1106.pdf)

3. Power of Attorney issued by two (2) major officers of the Surety to whoever is signing on their behalf.

Bonds, submitted as Bid Guarantee, without signatures and supporting documents are invalid and Bids will be rejected.



# GUAM POWER AUTHORITY

ATURIDÁT ILEKTRESEDÁT GUÅHAN  
P.O.BOX 2977 • HAGÁTÑA, GUAM U.S.A. 96932-2977

## SPECIAL PROVISION FOR OWNERSHIP & INTEREST DISCLOSURE AFFIDAVIT

All Bidders/Offerors are required to submit a current affidavit as required below. Failure to do so will mean disqualification and rejection of the Bid/RFP.

5 GCA §5233 (Title 5, Section 5233) states:  
Disclosure of Ownership, Financial, and Conflicts of Interest

- (a) Purpose. The disclosure required by this Section are intended to reveal information bearing on the responsibility of a bidder, and can be obtained by an inquiry regarding responsibility prior to award.
- (b) Definitions.  
As used herein, the term “person” shall be interpreted liberally to include the definition found in 1 GCA § 715, and in § 5030(n) of this Chapter, and includes a natural person as well as every entity of whatever form or composition (an “artificial person”) recognized under the laws of Guam other than a natural person, who is a prospective contractor under a bid, offer, proposal, or other response to a solicitation, or is a contractor under a contract with the government of Guam, and subject to the provisions of this Chapter.
- (c) Public Disclosure of Ownership.
- (1) The ownership interests to be disclosed under this Section include the interests of a natural or artificial person who owns all or any part of a prospective contractor, bidder, or offeror, whether as proprietor, a partner, limited or otherwise, a shareholder of any class, in which case the percentage ownership interest test shall be based on each class, a member of an association or company, limited or otherwise, and any person owning a beneficial legal interest in any trust, and any other person having the power to control the performance of the contract or the prospective contractor.
  - (2) Prior to award, every person who is a prospective contractor, bidder, or offeror of a contract to be acquired under any method of source selection authorized by this Chapter shall submit a Disclosure Statement, executed as an affidavit under oath, disclosing the name of each person who currently or has owned an ownership interest in the prospective contractor, bidder, or offeror greater than ten percent (10%) at any time during the twelve (12) month period immediately preceding the date of the solicitation (the “relevant disclosure period”). If a prospective contractor, bidder, or offeror is an artificial person, the Disclosure Statement shall disclose the name of each person who has owned an ownership interest in such artificial person (a “second tier owner”) greater than twenty-five percent (25%) at any time during the relevant disclosure period. If any such second tier owner is also an artificial person, the Disclosure Statement shall disclose the name of each person who has owned an ownership interest in such second tier owner (a “third tier owner”) of forty-nine percent (49%) or more during the relevant disclosure period. If the name of no natural person has been identified as an owner, or a second or third tier owner of the prospective contractor, bidder, or offeror, the Disclosure Statement shall identify the name, position, address, and contact information of the natural person having the authority and responsibility for the performance of the prospective contract, and the name of any natural person who has the authority and power to remove and replace the designated responsible person or otherwise control the performance of the prospective contract.
- (d) Disclosure of Financial Interest. A prospective contractor shall execute an affidavit disclosing the name of any person who has received or is entitled to receive a commission, gratuity, contingent fee or other compensation to solicit, secure, or assist in obtaining business related to the solicitation by means of a Disclosure Statement, executed as an affidavit under oath, disclosing such interest and shall also contain the amounts of any such commission, gratuity, contingent fee or other compensation.
- (e) Disclosure of Conflict of Interest. A prospective contractor shall disclose the name of any person who directly or indirectly participates in any solicitation if such person is also an employee of the government of Guam, or of the government of the United States if federal funds are used in payment of the contract.

- (f) Every disclosure of an ownership or financial interest of any person required to be identified by this Section shall name the person required to be disclosed and the street address of their principal place of business. All information disclosed or meant to be disclosed under this Section is public procurement data and shall be kept as part of the public record of each procurement.
- (g) Continuing Duty of Disclosure. Notwithstanding any other provision of this Chapter, the duty to disclose the information required under this Section shall be, upon award a continuing duty of a contractor of every contract subject to this Chapter, and all such information shall become part of the procurement record required by § 5249 of this Chapter. Throughout the term of a contract subject to the terms of this Chapter, the contractor shall promptly make any disclosures not made previously and update changes in the identities or other required information, interests, or conflicts of the persons required to be disclosed herein. Failure to comply with this Section shall constitute a material breach of contract.”

**Section 2. Severability.** If any provision of this Act or its application to any person or circumstance is found to be invalid or contrary to law, such invalidity shall not affect other provisions or applications of this Act that can be given effect without the invalid provision or application, and to this end the provisions of this Act are severable.

1. If the affidavit is a copy, indicate the BID/RFP number and where it is filed.
2. Affidavits must be signed within 60 days of the date the bids or proposals are due.

OWNERSHIP & INTEREST DISCLOSURE AFFIDAVIT

TERRITORY OF GUAM )  
 )  
 HAGATNA, GUAM )

I, undersigned, \_\_\_\_\_, being first duly sworn, deposes and says:  
 (partner or officer of the company, etc.)

1. That the name of each person who owns or has owned an ownership interest in the prospective contractor, bidder, or offeror greater than ten (10%) at any time during the twelve (12) month period immediately preceding the date of this solicitation are as follows:

<u>Name</u>	<u>Street Address (Principal Place of Business)</u>	<u>Percentage of Shares Held</u>
_____	_____	_____
_____	_____	_____
_____	_____	_____
_____	_____	_____

Total percentage of shares: \_\_\_\_\_

2. That for any owners listed Section 1 who are artificial persons, the name of each person who owns or has owned an interest in such artificial person (a "second-tier owner") greater than twenty-five percent (25%) at any time during the relevant disclosure period are as follows:

<u>Name</u>	<u>Street Address (Principal Place of Business)</u>	<u>Percentage of Shares Held</u>
_____	_____	_____
_____	_____	_____
_____	_____	_____
_____	_____	_____

Total percentage of shares: \_\_\_\_\_

3. That for any owners listed Section 2 who are artificial persons, the name of each person who has owned an ownership interest in such second-tier owner (a "third-tier owner") of forty-nine percent (49%) or more during the relevant disclosure period are as follows:

<u>Name</u>	<u>Street Address (Principal Place of Business)</u>	<u>Percentage of Shares Held</u>
_____	_____	_____
_____	_____	_____
_____	_____	_____
_____	_____	_____

Total percentage of shares: \_\_\_\_\_

4. That if no natural person has been identified as an owner in Section 1-3 above, the natural person having the authority and responsibility for the performance of the prospective contract:

<u>Name &amp; Position</u>	<u>Street Address (Principal Place of Business)</u>	<u>Contact Information</u>
_____	_____	_____
_____	_____	_____

The natural person having the authority and power to remove and replace the designated responsible person or otherwise control the performance of the prospective contract:

<u>Name &amp; Position</u>	<u>Street Address (Principal Place of Business)</u>	<u>Contact Information</u>
_____	_____	_____

5. Persons who have received or are entitled a commission, gratuity or other compensation for procuring or assisting in obtaining business related to the Bid/RFP for which this Affidavit is submitted are as follows:

<u>Name</u>	<u>Address</u>	<u>Amount of Commission, Gratuity, or other Compensation</u>
_____	_____	_____
_____	_____	_____

6. Persons who directly or indirectly participated in this solicitation, if government of Guam employees (or government of the United States employees, if federal funds are used in payment of the contract):

<u>Name &amp; Position</u>	<u>Street Address (Principal Place of Business)</u>	<u>Contact Information</u>
_____	_____	_____
_____	_____	_____

Further, affiant sayeth naught.

Date: \_\_\_\_\_

\_\_\_\_\_  
Signature of individual if bidder/offeror is a sole Proprietorship; Partner, if the bidder/offeror is a Partnership Officer, if the bidder/offeror is a corporation.

Subscribe and sworn to before me this \_\_\_\_\_ day of \_\_\_\_\_,  
20\_\_\_\_\_.

Notary Public \_\_\_\_\_

In and for the Territory of Guam

My Commission expires \_\_\_\_\_.

NON-COLLUSION AFFIDAVIT

Guam )  
 )ss:  
Hagatna )

I, \_\_\_\_\_ first being duly sworn, depose and say:  
(Name of Declarant)

1. That I am the \_\_\_\_\_ of \_\_\_\_\_.  
(Title) (Name of Bidding/RFP Company)
2. That in making the foregoing proposal or bid, that such proposal or bid is genuine and not collusive or sham, that said bidder/offeror has not colluded, conspired, connived or agreed, directly or indirectly, with any bidder or person, to put in a sham or to refrain from bidding or submitting a proposal and has not in any manner, directly or indirectly, sought by agreement or collusion, or communication or conference, with any person, to fix the bid of affiant or any other bidder, or to secure any overhead, project or cost element of said bid price, or of that of any bidder, or to secure any advantage against the GUAM POWER AUTHORITY or any person interested in the proposed contract; and
3. That all statements in said proposal or bid are true.
4. This affidavit is made in compliance with Guam Administrative Rules and Regulations §§3126(b).

\_\_\_\_\_  
(Declarant)

SUBSCRIBED AND SWORN to me before this \_\_\_\_\_ day of \_\_\_\_\_, 2023.

)Seal(

\_\_\_\_\_  
Notary Public

NO GRATUITIES OR KICKBACKS AFFIDAVIT

AFFIDAVIT

(Offeror)

TERRITORY OF GUAM )

)

HAGATNA, GUAM )

SS:

\_\_\_\_\_, being first duly sworn, deposes and says:

As the duly authorized representative of the Offeror, that neither I nor of the Offeror's officers, representatives, agents, subcontractors, or employees has or have offered, given or agreed to give any government of Guam employee or former employee, any payment, gift, kickback, gratuity or offer of employment in connection with Offeror's proposal.

\_\_\_\_\_  
Signature of Individual if Proposer is a Sole Proprietorship;  
Partner, if the Proposer is a Partnership;  
Officer, if the Proposer is a Corporation

SUBSCRIBED AND SWORN to before me this \_\_\_\_ day of \_\_\_\_\_, 2023.

\_\_\_\_\_  
Notary Public  
In and for the Territory of Guam  
My Commission Expires:





DECLARATION RE-COMPLIANCE WITH U.S. DOL WAGE DETERMINATION

Procurement No.: \_\_\_\_\_

Name of Offeror Company: \_\_\_\_\_

\_\_\_\_\_ hereby certifies under penalty of perjury:

(1) That I am \_\_\_\_\_ (the offeror, a partner of the offeror, an officer of the offeror) making the bid or proposal in the foregoing identified procurement;

(2) That I have read and understand the provisions of 5 GCA § 5801 and § 5802 which read:

**§ 5801. Wage Determination Established.**

In such cases where the government of Guam enters into contractual arrangements with a sole proprietorship, a partnership or a corporation ('contractor') for the provision of a service to the government of Guam, and in such cases where the contractor employs a person(s) whose purpose, in whole or in part, is the direct delivery of service contracted by the government of Guam, then the contractor shall pay such employee(s) in accordance with the Wage Determination for Guam and the Northern Mariana Islands issued and promulgated by the U.S. Department of Labor for such labor as is employed in the direct delivery of contract deliverables to the government of Guam.

The Wage Determination most recently issued by the U.S. Department of Labor at the time a contract is awarded to a contractor by the government of Guam shall be used to determine wages, which shall be paid to employees pursuant to this Article. Should any contract contain a renewal clause, then at the time of renewal adjustments, there shall be made stipulations contained in that contract for applying the Wage Determination, as required by this Article, so that the Wage Determination promulgated by the U.S. Department of Labor on a date most recent to the renewal date shall apply.

**§ 5802. Benefits.**

In addition to the Wage Determination detailed in this Article, any contract to which this Article applies shall also contain provisions mandating health and similar benefits for employees covered by this Article, such benefits having a minimum value as detailed in the Wage Determination issued and promulgated by the U.S. Department of Labor, and shall contain provisions guaranteeing a minimum of ten (10) paid holidays per annum per employee.

(3) That the offeror is in full compliance with 5 GCA § 5801 and § 5802, as may be applicable to the procurement referenced herein;

\_\_\_\_\_  
Signature of Individual if Proposer is a Sole Proprietorship;  
Partner, if the Proposer is a Partnership;  
Officer, if the Proposer is a Corporation

SUBSCRIBED AND SWORN to before me this \_\_\_\_ day of \_\_\_\_\_, 2023.

\_\_\_\_\_  
Notary Public  
In and for the Territory of Guam  
My Commission Expires:

"REGISTER OF WAGE DETERMINATIONS UNDER THE SERVICE CONTRACT ACT By direction of the Secretary of Labor		U.S. DEPARTMENT OF LABOR EMPLOYMENT STANDARDS ADMINISTRATION WAGE AND HOUR DIVISION WASHINGTON D.C. 20210
--	--	--

Daniel W. Simms Director		Wage Determination No.: 2015-5693 Revision No.: 18 Date Of Last Revision: 12/27/2022
-----------------------------	--	--

Note: Contracts subject to the Service Contract Act are generally required to pay at least the applicable minimum wage rate required under Executive Order 14026.

If the contract is entered into on or after January 30, 2022, or the contract is renewed or extended (e.g., an option is exercised) on or after January 30, 2022:		Executive Order 14026 generally applies to the contract. The contractor must pay all covered workers at least \$16.20 per hour (or the applicable wage rate listed on this wage determination, if it is higher) for all hours spent performing on the contract in 2023.
---	--	--

GDOL guidance indicates that E.O. 14026 does NOT apply to Government of Guam Service Contracts.

See our website for more information.

The applicable Executive Order minimum wage rate will be adjusted annually. Additional information on contractor requirements and worker protections under the Executive Orders is available at [www.dol.gov/whd/govcontracts](http://www.dol.gov/whd/govcontracts).

States: Guam, Northern Marianas, Wake Island

Area: Guam Statewide  
 Northern Marianas Statewide  
 Wake Island Statewide

\*\*Fringe Benefits Required Follow the Occupational Listing\*\*

OCCUPATION CODE - TITLE	FOOTNOTE	RATE
01000 - Administrative Support And Clerical Occupations		
01011 - Accounting Clerk I		14.27***
01012 - Accounting Clerk II		16.02***
01013 - Accounting Clerk III		17.93
01020 - Administrative Assistant		21.43
01035 - Court Reporter		17.40
01041 - Customer Service Representative I		12.66***
01042 - Customer Service Representative II		14.23***
01043 - Customer Service Representative III		15.53***
01051 - Data Entry Operator I		12.15***
01052 - Data Entry Operator II		13.25***
01060 - Dispatcher, Motor Vehicle		17.39
01070 - Document Preparation Clerk		13.85***
01090 - Duplicating Machine Operator		13.85***
01111 - General Clerk I		11.08***
01112 - General Clerk II		12.09***
01113 - General Clerk III		13.57***
01120 - Housing Referral Assistant		19.39
01141 - Messenger Courier		11.37***
01191 - Order Clerk I		12.57***
01192 - Order Clerk II		13.71***
01261 - Personnel Assistant (Employment) I		15.95***
01262 - Personnel Assistant (Employment) II		17.85

01263 - Personnel Assistant (Employment) III	19.89
01270 - Production Control Clerk	22.97
01290 - Rental Clerk	11.10***
01300 - Scheduler, Maintenance	15.55***
01311 - Secretary I	15.55***
01312 - Secretary II	17.40
01313 - Secretary III	19.39
01320 - Service Order Dispatcher	15.40***
01410 - Supply Technician	21.43
01420 - Survey Worker	16.96
01460 - Switchboard Operator/Receptionist	10.78***
01531 - Travel Clerk I	13.01***
01532 - Travel Clerk II	14.12***
01533 - Travel Clerk III	15.09***
01611 - Word Processor I	14.53***
01612 - Word Processor II	16.31
01613 - Word Processor III	18.26
05000 - Automotive Service Occupations	
05005 - Automobile Body Repairer, Fiberglass	17.01
05010 - Automotive Electrician	15.97***
05040 - Automotive Glass Installer	14.94***
05070 - Automotive Worker	14.94***
05110 - Mobile Equipment Servicer	12.82***
05130 - Motor Equipment Metal Mechanic	17.01
05160 - Motor Equipment Metal Worker	14.94***
05190 - Motor Vehicle Mechanic	17.01
05220 - Motor Vehicle Mechanic Helper	11.73***
05250 - Motor Vehicle Upholstery Worker	13.90***
05280 - Motor Vehicle Wrecker	14.94***
05310 - Painter, Automotive	15.97***
05340 - Radiator Repair Specialist	14.94***
05370 - Tire Repairer	12.67***
05400 - Transmission Repair Specialist	17.01
07000 - Food Preparation And Service Occupations	
07010 - Baker	10.89***
07041 - Cook I	14.44***
07042 - Cook II	16.84
07070 - Dishwasher	9.35***
07130 - Food Service Worker	9.69***
07210 - Meat Cutter	12.13***
07260 - Waiter/Waitress	9.45***
09000 - Furniture Maintenance And Repair Occupations	
09010 - Electrostatic Spray Painter	18.04
09040 - Furniture Handler	10.95***
09080 - Furniture Refinisher	18.04
09090 - Furniture Refinisher Helper	13.27***
09110 - Furniture Repairer, Minor	15.70***
09130 - Upholsterer	18.04
11000 - General Services And Support Occupations	
11030 - Cleaner, Vehicles	9.35***
11060 - Elevator Operator	9.54***
11090 - Gardener	14.28***
11122 - Housekeeping Aide	9.54***
11150 - Janitor	9.54***
11210 - Laborer, Grounds Maintenance	10.79***
11240 - Maid or Houseman	9.39***
11260 - Pruner	9.66***
11270 - Tractor Operator	13.07***
11330 - Trail Maintenance Worker	10.79***
11360 - Window Cleaner	10.66***
12000 - Health Occupations	
12010 - Ambulance Driver	18.23
12011 - Breath Alcohol Technician	18.23
12012 - Certified Occupational Therapist Assistant	25.01
12015 - Certified Physical Therapist Assistant	25.01

12020 - Dental Assistant	17.94
12025 - Dental Hygienist	39.73
12030 - EKG Technician	27.43
12035 - Electroneurodiagnostic Technologist	27.43
12040 - Emergency Medical Technician	18.23
12071 - Licensed Practical Nurse I	16.30
12072 - Licensed Practical Nurse II	18.23
12073 - Licensed Practical Nurse III	20.32
12100 - Medical Assistant	12.26***
12130 - Medical Laboratory Technician	18.82
12160 - Medical Record Clerk	14.97***
12190 - Medical Record Technician	17.77
12195 - Medical Transcriptionist	16.30
12210 - Nuclear Medicine Technologist	40.06
12221 - Nursing Assistant I	12.21***
12222 - Nursing Assistant II	13.73***
12223 - Nursing Assistant III	14.98***
12224 - Nursing Assistant IV	16.82
12235 - Optical Dispenser	18.23
12236 - Optical Technician	16.30
12250 - Pharmacy Technician	15.49***
12280 - Phlebotomist	16.30
12305 - Radiologic Technologist	27.43
12311 - Registered Nurse I	23.18
12312 - Registered Nurse II	28.36
12313 - Registered Nurse II, Specialist	28.36
12314 - Registered Nurse III	34.32
12315 - Registered Nurse III, Anesthetist	34.32
12316 - Registered Nurse IV	41.13
12317 - Scheduler (Drug and Alcohol Testing)	22.58
12320 - Substance Abuse Treatment Counselor	22.58
13000 - Information And Arts Occupations	
13011 - Exhibits Specialist I	21.42
13012 - Exhibits Specialist II	26.53
13013 - Exhibits Specialist III	32.45
13041 - Illustrator I	21.42
13042 - Illustrator II	26.53
13043 - Illustrator III	32.45
13047 - Librarian	29.38
13050 - Library Aide/Clerk	17.05
13054 - Library Information Technology Systems Administrator	26.53
13058 - Library Technician	18.11
13061 - Media Specialist I	19.15
13062 - Media Specialist II	21.42
13063 - Media Specialist III	23.87
13071 - Photographer I	19.15
13072 - Photographer II	21.42
13073 - Photographer III	26.53
13074 - Photographer IV	32.45
13075 - Photographer V	39.27
13090 - Technical Order Library Clerk	21.42
13110 - Video Teleconference Technician	19.15
14000 - Information Technology Occupations	
14041 - Computer Operator I	15.71***
14042 - Computer Operator II	17.22
14043 - Computer Operator III	19.19
14044 - Computer Operator IV	21.33
14045 - Computer Operator V	23.62
14071 - Computer Programmer I	(see 1) 15.73***
14072 - Computer Programmer II	(see 1) 19.50
14073 - Computer Programmer III	(see 1) 23.84
14074 - Computer Programmer IV	(see 1)
14101 - Computer Systems Analyst I	(see 1) 24.23
14102 - Computer Systems Analyst II	(see 1)

14103 - Computer Systems Analyst III	(see 1)	
14150 - Peripheral Equipment Operator		15.71***
14160 - Personal Computer Support Technician		21.33
14170 - System Support Specialist		21.24
15000 - Instructional Occupations		
15010 - Aircrew Training Devices Instructor (Non-Rated)		24.23
15020 - Aircrew Training Devices Instructor (Rated)		29.32
15030 - Air Crew Training Devices Instructor (Pilot)		34.91
15050 - Computer Based Training Specialist / Instructor		24.23
15060 - Educational Technologist		27.61
15070 - Flight Instructor (Pilot)		34.91
15080 - Graphic Artist		20.47
15085 - Maintenance Test Pilot, Fixed, Jet/Prop		34.91
15086 - Maintenance Test Pilot, Rotary Wing		34.91
15088 - Non-Maintenance Test/Co-Pilot		34.91
15090 - Technical Instructor		17.67
15095 - Technical Instructor/Course Developer		23.78
15110 - Test Proctor		15.70***
15120 - Tutor		15.70***
16000 - Laundry, Dry-Cleaning, Pressing And Related Occupations		
16010 - Assembler		10.37***
16030 - Counter Attendant		10.37***
16040 - Dry Cleaner		11.84***
16070 - Finisher, Flatwork, Machine		10.37***
16090 - Presser, Hand		10.37***
16110 - Presser, Machine, Drycleaning		10.37***
16130 - Presser, Machine, Shirts		10.37***
16160 - Presser, Machine, Wearing Apparel, Laundry		10.37***
16190 - Sewing Machine Operator		12.34***
16220 - Tailor		12.83***
16250 - Washer, Machine		10.86***
19000 - Machine Tool Operation And Repair Occupations		
19010 - Machine-Tool Operator (Tool Room)		19.46
19040 - Tool And Die Maker		24.46
21000 - Materials Handling And Packing Occupations		
21020 - Forklift Operator		13.96***
21030 - Material Coordinator		22.97
21040 - Material Expediter		22.97
21050 - Material Handling Laborer		11.43***
21071 - Order Filler		10.62***
21080 - Production Line Worker (Food Processing)		13.96***
21110 - Shipping Packer		17.12
21130 - Shipping/Receiving Clerk		17.12
21140 - Store Worker I		15.38***
21150 - Stock Clerk		21.62
21210 - Tools And Parts Attendant		13.96***
21410 - Warehouse Specialist		13.96***
23000 - Mechanics And Maintenance And Repair Occupations		
23010 - Aerospace Structural Welder		25.04
23019 - Aircraft Logs and Records Technician		19.47
23021 - Aircraft Mechanic I		23.84
23022 - Aircraft Mechanic II		25.04
23023 - Aircraft Mechanic III		26.30
23040 - Aircraft Mechanic Helper		16.58
23050 - Aircraft, Painter		22.39
23060 - Aircraft Servicer		19.47
23070 - Aircraft Survival Flight Equipment Technician		22.39
23080 - Aircraft Worker		21.03
23091 - Aircrew Life Support Equipment (ALSE) Mechanic I		21.03
23092 - Aircrew Life Support Equipment (ALSE) Mechanic II		23.84
23110 - Appliance Mechanic		19.46
23120 - Bicycle Repairer		15.61***
23125 - Cable Splicer		21.55

23130 - Carpenter, Maintenance	17.58
23140 - Carpet Layer	18.20
23160 - Electrician, Maintenance	18.21
23181 - Electronics Technician Maintenance I	18.20
23182 - Electronics Technician Maintenance II	19.46
23183 - Electronics Technician Maintenance III	20.72
23260 - Fabric Worker	16.94
23290 - Fire Alarm System Mechanic	16.77
23310 - Fire Extinguisher Repairer	15.61***
23311 - Fuel Distribution System Mechanic	20.72
23312 - Fuel Distribution System Operator	15.61***
23370 - General Maintenance Worker	13.21***
23380 - Ground Support Equipment Mechanic	23.84
23381 - Ground Support Equipment Servicer	19.47
23382 - Ground Support Equipment Worker	21.03
23391 - Gunsmith I	15.61***
23392 - Gunsmith II	18.20
23393 - Gunsmith III	20.72
23410 - Heating, Ventilation And Air-Conditioning Mechanic	17.88
23411 - Heating, Ventilation And Air Contidioning Mechanic (Research Facility)	19.02
23430 - Heavy Equipment Mechanic	19.50
23440 - Heavy Equipment Operator	17.98
23460 - Instrument Mechanic	20.72
23465 - Laboratory/Shelter Mechanic	19.46
23470 - Laborer	11.43***
23510 - Locksmith	19.46
23530 - Machinery Maintenance Mechanic	23.13
23550 - Machinist, Maintenance	20.72
23580 - Maintenance Trades Helper	10.99***
23591 - Metrology Technician I	20.72
23592 - Metrology Technician II	22.03
23593 - Metrology Technician III	23.33
23640 - Millwright	20.72
23710 - Office Appliance Repairer	19.46
23760 - Painter, Maintenance	15.49***
23790 - Pipefitter, Maintenance	18.39
23810 - Plumber, Maintenance	17.27
23820 - Pneudraulic Systems Mechanic	20.72
23850 - Rigger	20.72
23870 - Scale Mechanic	18.20
23890 - Sheet-Metal Worker, Maintenance	17.77
23910 - Small Engine Mechanic	18.20
23931 - Telecommunications Mechanic I	19.76
23932 - Telecommunications Mechanic II	21.01
23950 - Telephone Lineman	18.75
23960 - Welder, Combination, Maintenance	18.31
23965 - Well Driller	21.13
23970 - Woodcraft Worker	20.71
23980 - Woodworker	15.61***
24000 - Personal Needs Occupations	
24550 - Case Manager	15.01***
24570 - Child Care Attendant	10.09***
24580 - Child Care Center Clerk	13.25***
24610 - Chore Aide	14.06***
24620 - Family Readiness And Support Services Coordinator	15.01***
24630 - Homemaker	16.12***
25000 - Plant And System Operations Occupations	
25010 - Boiler Tender	22.79
25040 - Sewage Plant Operator	22.89
25070 - Stationary Engineer	22.79
25190 - Ventilation Equipment Tender	15.72***
25210 - Water Treatment Plant Operator	22.89

27000 - Protective Service Occupations	
27004 - Alarm Monitor	10.90***
27007 - Baggage Inspector	9.63***
27008 - Corrections Officer	13.26***
27010 - Court Security Officer	13.26***
27030 - Detection Dog Handler	10.90***
27040 - Detention Officer	13.26***
27070 - Firefighter	13.26***
27101 - Guard I	9.63***
27102 - Guard II	10.90***
27131 - Police Officer I	13.26***
27132 - Police Officer II	14.74***
28000 - Recreation Occupations	
28041 - Carnival Equipment Operator	13.24***
28042 - Carnival Equipment Repairer	14.46***
28043 - Carnival Worker	9.78***
28210 - Gate Attendant/Gate Tender	13.18***
28310 - Lifeguard	11.01***
28350 - Park Attendant (Aide)	14.74***
28510 - Recreation Aide/Health Facility Attendant	11.84***
28515 - Recreation Specialist	18.26
28630 - Sports Official	11.74***
28690 - Swimming Pool Operator	17.71
29000 - Stevedoring/Longshoremen Occupational Services	
29010 - Blocker And Bracer	26.02
29020 - Hatch Tender	26.02
29030 - Line Handler	26.02
29041 - Stevedore I	24.21
29042 - Stevedore II	27.82
30000 - Technical Occupations	
30010 - Air Traffic Control Specialist, Center (HFO) (see 2)	41.27
30011 - Air Traffic Control Specialist, Station (HFO) (see 2)	28.46
30012 - Air Traffic Control Specialist, Terminal (HFO) (see 2)	31.33
30021 - Archeological Technician I	18.17
30022 - Archeological Technician II	20.33
30023 - Archeological Technician III	25.19
30030 - Cartographic Technician	25.19
30040 - Civil Engineering Technician	25.19
30051 - Cryogenic Technician I	27.89
30052 - Cryogenic Technician II	30.80
30061 - Drafter/CAD Operator I	18.17
30062 - Drafter/CAD Operator II	20.33
30063 - Drafter/CAD Operator III	22.66
30064 - Drafter/CAD Operator IV	27.89
30081 - Engineering Technician I	16.19***
30082 - Engineering Technician II	18.17
30083 - Engineering Technician III	20.33
30084 - Engineering Technician IV	25.19
30085 - Engineering Technician V	30.80
30086 - Engineering Technician VI	37.27
30090 - Environmental Technician	25.19
30095 - Evidence Control Specialist	25.19
30210 - Laboratory Technician	22.66
30221 - Latent Fingerprint Technician I	27.89
30222 - Latent Fingerprint Technician II	30.80
30240 - Mathematical Technician	25.19
30361 - Paralegal/Legal Assistant I	19.54
30362 - Paralegal/Legal Assistant II	24.21
30363 - Paralegal/Legal Assistant III	29.61
30364 - Paralegal/Legal Assistant IV	35.83
30375 - Petroleum Supply Specialist	30.80
30390 - Photo-Optics Technician	24.12
30395 - Radiation Control Technician	30.80
30461 - Technical Writer I	25.19
30462 - Technical Writer II	30.80

30463 - Technical Writer III	37.27
30491 - Unexploded Ordnance (UXO) Technician I	26.22
30492 - Unexploded Ordnance (UXO) Technician II	31.73
30493 - Unexploded Ordnance (UXO) Technician III	38.03
30494 - Unexploded (UXO) Safety Escort	26.22
30495 - Unexploded (UXO) Sweep Personnel	26.22
30501 - Weather Forecaster I	27.89
30502 - Weather Forecaster II	33.93
30620 - Weather Observer, Combined Upper Air Or Surface Programs	(see 2) 22.66
30621 - Weather Observer, Senior	(see 2) 25.19
31000 - Transportation/Mobile Equipment Operation Occupations	
31010 - Airplane Pilot	31.73
31020 - Bus Aide	8.97***
31030 - Bus Driver	11.73***
31043 - Driver Courier	10.26***
31260 - Parking and Lot Attendant	9.91***
31290 - Shuttle Bus Driver	11.65***
31310 - Taxi Driver	11.41***
31361 - Truckdriver, Light	11.21***
31362 - Truckdriver, Medium	12.16***
31363 - Truckdriver, Heavy	16.10***
31364 - Truckdriver, Tractor-Trailer	16.10***
99000 - Miscellaneous Occupations	
99020 - Cabin Safety Specialist	15.47***
99030 - Cashier	9.63***
99050 - Desk Clerk	9.70***
99095 - Embalmer	26.22
99130 - Flight Follower	26.22
99251 - Laboratory Animal Caretaker I	23.62
99252 - Laboratory Animal Caretaker II	25.80
99260 - Marketing Analyst	21.54
99310 - Mortician	26.22
99410 - Pest Controller	14.61***
99510 - Photofinishing Worker	13.78***
99710 - Recycling Laborer	17.32
99711 - Recycling Specialist	23.38
99730 - Refuse Collector	16.40
99810 - Sales Clerk	10.15***
99820 - School Crossing Guard	17.45
99830 - Survey Party Chief	23.79
99831 - Surveying Aide	13.53***
99832 - Surveying Technician	17.58
99840 - Vending Machine Attendant	23.62
99841 - Vending Machine Repairer	30.08
99842 - Vending Machine Repairer Helper	23.62

\*\*\*Workers in this classification may be entitled to a higher minimum wage under Executive Order 14026 (\$16.20 per hour). Please see the Note at the top of the wage determination for more information. Please also note that the minimum wage requirements of Executive Order 14026 are not currently being enforced as to contracts or contract-like instruments entered into with the federal government in connection with seasonal recreational services or seasonal recreational equipment rental for the general public on federal lands.

---

ALL OCCUPATIONS LISTED ABOVE RECEIVE THE FOLLOWING BENEFITS:

HEALTH & WELFARE: \$4.80 per hour, up to 40 hours per week, or \$192.00 per week or \$832.00 per month



HEALTH & WELFARE EO 13706: \$4.41 per hour, up to 40 hours per week, or \$176.40 per week, or \$764.40 per month\*

\*This rate is to be used only when compensating employees for performance on an SCA-covered contract also covered by EO 13706, Establishing Paid Sick Leave for Federal Contractors. A contractor may not receive credit toward its SCA obligations for any paid sick leave provided pursuant to EO 13706.

VACATION: 2 weeks paid vacation after 1 year of service with a contractor or successor; and 4 weeks after 3 years. Length of service includes the whole span of continuous service with the present contractor or successor, wherever employed, and with the predecessor contractors in the performance of similar work at the same Federal facility. (Reg. 29 CFR 4.173)

HOLIDAYS: A minimum of eleven paid holidays per year: New Year's Day, Martin Luther King Jr.'s Birthday, Washington's Birthday, Memorial Day, Juneteenth National Independence Day, Independence Day, Labor Day, Columbus Day, Veterans' Day, Thanksgiving Day, and Christmas Day. (A contractor may substitute for any of the named holidays another day off with pay in accordance with a plan communicated to the employees involved.) (See 29 CFR 4.174)

THE OCCUPATIONS WHICH HAVE NUMBERED FOOTNOTES IN PARENTHESES RECEIVE THE FOLLOWING:

1) COMPUTER EMPLOYEES: This wage determination does not apply to any individual employed in a bona fide executive, administrative, or professional capacity, as defined in 29 C.F.R. Part 541. (See 41 C.F.R. 6701(3)). Because most Computer Systems Analysts and Computer Programmers who are paid at least \$27.63 per hour (or at least \$684 per week if paid on a salary or fee basis) likely qualify as exempt computer professionals under 29 U.S.C. 213(a)(1) and 29 U.S.C. 213(a)(17), this wage determination may not include wage rates for all occupations within those job families. In such instances, a conformance will be necessary if there are nonexempt employees in these job families working on the contract.

Job titles vary widely and change quickly in the computer industry, and are not determinative of whether an employee is an exempt computer professional. To be exempt, computer employees who satisfy the compensation requirements must also have a primary duty that consists of:

(1) The application of systems analysis techniques and procedures, including consulting with users, to determine hardware, software or system functional specifications;

(2) The design, development, documentation, analysis, creation, testing or modification of computer systems or programs, including prototypes, based on and related to user or system design specifications;

(3) The design, documentation, testing, creation or modification of computer programs related to machine operating systems; or

(4) A combination of the aforementioned duties, the performance of which requires the same level of skills. (29 C.F.R. 541.400).

Any computer employee who meets the applicable compensation requirements and the above duties test qualifies as an exempt computer professional under both section 13(a)(1) and section 13(a)(17) of the Fair Labor Standards Act. (Field Assistance Bulletin No. 2006-3 (Dec. 14, 2006)). Accordingly, this wage determination will not apply to any exempt computer employee regardless of which of these two exemptions is utilized.

2) AIR TRAFFIC CONTROLLERS AND WEATHER OBSERVERS - NIGHT PAY & SUNDAY PAY: If you work at night as part of a regular tour of duty, you will earn a night differential and receive an additional 10% of basic pay for any hours worked between 6pm and 6am. If you are a full-time employed (40 hours a week) and Sunday is part of your

regularly scheduled workweek, you are paid at your rate of basic pay plus a Sunday premium of 25% of your basic rate for each hour of Sunday work which is not overtime (i.e. occasional work on Sunday outside the normal tour of duty is considered overtime work).

**\*\* HAZARDOUS PAY DIFFERENTIAL \*\***

An 8 percent differential is applicable to employees employed in a position that represents a high degree of hazard when working with or in close proximity to ordnance, explosives, and incendiary materials. This includes work such as screening, blending, dying, mixing, and pressing of sensitive ordnance, explosives, and pyrotechnic compositions such as lead azide, black powder and photoflash powder. All dry-house activities involving propellants or explosives. Demilitarization, modification, renovation, demolition, and maintenance operations on sensitive ordnance, explosives and incendiary materials. All operations involving re-grading and cleaning of artillery ranges.

A 4 percent differential is applicable to employees employed in a position that represents a low degree of hazard when working with, or in close proximity to ordnance, (or employees possibly adjacent to) explosives and incendiary materials which involves potential injury such as laceration of hands, face, or arms of the employee engaged in the operation, irritation of the skin, minor burns and the like; minimal damage to immediate or adjacent work area or equipment being used. All operations involving, unloading, storage, and hauling of ordnance, explosive, and incendiary ordnance material other than small arms ammunition. These differentials are only applicable to work that has been specifically designated by the agency for ordnance, explosives, and incendiary material differential pay.

**\*\* UNIFORM ALLOWANCE \*\***

If employees are required to wear uniforms in the performance of this contract (either by the terms of the Government contract, by the employer, by the state or local law, etc.), the cost of furnishing such uniforms and maintaining (by laundering or dry cleaning) such uniforms is an expense that may not be borne by an employee where such cost reduces the hourly rate below that required by the wage determination. The Department of Labor will accept payment in accordance with the following standards as compliance:

The contractor or subcontractor is required to furnish all employees with an adequate number of uniforms without cost or to reimburse employees for the actual cost of the uniforms. In addition, where uniform cleaning and maintenance is made the responsibility of the employee, all contractors and subcontractors subject to this wage determination shall (in the absence of a bona fide collective bargaining agreement providing for a different amount, or the furnishing of contrary affirmative proof as to the actual cost), reimburse all employees for such cleaning and maintenance at a rate of \$3.35 per week (or \$.67 cents per day). However, in those instances where the uniforms furnished are made of "wash and wear" materials, may be routinely washed and dried with other personal garments, and do not require any special treatment such as dry cleaning, daily washing, or commercial laundering in order to meet the cleanliness or appearance standards set by the terms of the Government contract, by the contractor, by law, or by the nature of the work, there is no requirement that employees be reimbursed for uniform maintenance costs.

**\*\* SERVICE CONTRACT ACT DIRECTORY OF OCCUPATIONS \*\***

The duties of employees under job titles listed are those described in the "Service Contract Act Directory of Occupations", Fifth Edition (Revision 1), dated September 2015, unless otherwise indicated.

**\*\* REQUEST FOR AUTHORIZATION OF ADDITIONAL CLASSIFICATION AND WAGE RATE, Standard Form 1444 (SF-1444) \*\***

Conformance Process:

The contracting officer shall require that any class of service employee which is not listed herein and which is to be employed under the contract (i.e., the work to be performed is not performed by any classification listed in the wage determination), be classified by the contractor so as to provide a reasonable relationship (i.e., appropriate level of skill comparison) between such unlisted classifications and the classifications listed in the wage determination (See 29 CFR 4.6(b)(2)(i)). Such conforming procedures shall be initiated by the contractor prior to the performance of contract work by such unlisted class(es) of employees (See 29 CFR 4.6(b)(2)(ii)). The Wage and Hour Division shall make a final determination of conformed classification, wage rate, and/or fringe benefits which shall be paid to all employees performing in the classification from the first day of work on which contract work is performed by them in the classification. Failure to pay such unlisted employees the compensation agreed upon by the interested parties and/or fully determined by the Wage and Hour Division retroactive to the date such class of employees commenced contract work shall be a violation of the Act and this contract. (See 29 CFR 4.6(b)(2)(v)). When multiple wage determinations are included in a contract, a separate SF-1444 should be prepared for each wage determination to which a class(es) is to be conformed.

The process for preparing a conformance request is as follows:

- 1) When preparing the bid, the contractor identifies the need for a conformed occupation(s) and computes a proposed rate(s).
- 2) After contract award, the contractor prepares a written report listing in order the proposed classification title(s), a Federal grade equivalency (FGE) for each proposed classification(s), job description(s), and rationale for proposed wage rate(s), including information regarding the agreement or disagreement of the authorized representative of the employees involved, or where there is no authorized representative, the employees themselves. This report should be submitted to the contracting officer no later than 30 days after such unlisted class(es) of employees performs any contract work.
- 3) The contracting officer reviews the proposed action and promptly submits a report of the action, together with the agency's recommendations and pertinent information including the position of the contractor and the employees, to the U.S. Department of Labor, Wage and Hour Division, for review (See 29 CFR 4.6(b)(2)(ii)).
- 4) Within 30 days of receipt, the Wage and Hour Division approves, modifies, or disapproves the action via transmittal to the agency contracting officer, or notifies the contracting officer that additional time will be required to process the request.
- 5) The contracting officer transmits the Wage and Hour Division's decision to the contractor.
- 6) Each affected employee shall be furnished by the contractor with a written copy of such determination or it shall be posted as a part of the wage determination (See 29 CFR 4.6(b)(2)(iii)).

Information required by the Regulations must be submitted on SF-1444 or bond paper.

When preparing a conformance request, the "Service Contract Act Directory of Occupations" should be used to compare job definitions to ensure that duties requested are not performed by a classification already listed in the wage determination. Remember, it is not the job title, but the required tasks that determine whether a class is included in an established wage determination. Conformances may not be used to artificially split, combine, or subdivide classifications listed in the wage determination (See 29 CFR 4.152(c)(1))."

SPECIAL PROVISIONS

**Restriction Against Sex Offenders Employed by Service Providers to Government of Guam from Working on Government of Guam Property**

GCA 5 §5253 Restriction Against Contractors Employing Convicted Sex Offenders from Working at Government of Guam Venues:

- (a) No person convicted of a sex offense under the provisions of Chapter 25 of Title 9 Guam Code Annotated, or an offense as defined in Article 2 of Chapter 28, Title 9 GCA in Guam, or an offense in any jurisdiction which includes, at a minimum, all of the elements of said offenses, or who is listed on the Sex Offender Registry, and who is employed by a business contracted to perform services for an agency or instrumentality of the government of Guam, shall work for his employer on the property of the Government of Guam other than public highway.
- (b) All contracts for services to agencies listed herein shall include the following provisions: (1) warranties that no person providing services on behalf of the contractor has been convicted of a sex offense under the provisions of Chapter 25 of Title 9 GCA or an offense as defined in Article 2 of Chapter 28, Title 9 GCA, or an offense in another jurisdiction with, at a minimum, the same elements as such offenses, or who is listed on the Sex Offender Registry; and (2) that if any person providing services on behalf of the contractor is convicted of a sex offense under the provisions of Chapter 25 of Title 9 GCA or an offense as defined in Article 2 of Chapter 28, Title 9 GCA or an offense in another jurisdiction with, at a minimum, the same elements as such offenses, or who is listed on the Sex Offender Registry, that such person will be immediately removed from working at said agency and that the administrator of said agency be informed of such within twenty-four (24) hours of such conviction.
- (c) Duties of the General Services Agency or Procurement Administrators. All contracts, bids, or Requests for Proposals shall state all the conditions in § 5253(b).
- (d) Any contractor found in violation of § 5253(b), after notice from the contracting authority of such violation, shall, within twenty-four (24) hours, take corrective action and shall report such action to the contracting authority. Failure to take corrective action within the stipulated period may result in the temporary suspension of the contract at the discretion of the contracting authority.

SOURCE: *Added by P.L. 28-024:2 ((Apr. 21, 2005). Amended by P.L. 28-098:2 (Feb. 7, 2006).*

\_\_\_\_\_  
Signature of Bidder      Date

Proposer, if an individual;  
Partner, if a partnership;  
Officer, if a corporation.

Subscribed and sworn before me this \_\_\_\_\_ day of \_\_\_\_\_, 2023.

\_\_\_\_\_  
Notary Public





# GUAM POWER AUTHORITY

ATURIDÁT ILEKTRESEDÁT GUÁHAN  
 P.O.BOX 2977 • HAGÁTÑA, GUAM U.S.A. 96932-2977

Lourdes A. Leon Guerrero  
 I Maga 'håga

Telephone Nos. (671) 648-3054/55 Fax: 648-3165

Joshua F. Tenorio  
 I Sigundo Maga 'låhi

---

Accountability	Impartiality	Competence	Openness	Value
----------------	--------------	------------	----------	-------

---

## LOCAL PROCUREMENT PREFERENCE APPLICATION

Based on the law stipulated below, please place a checkmark or an "X" on the block indicating the item that applies to your business:

5GCA, Chapter 5, Section 5008, "Policy in Favor of Local Procurement" of the Guam Procurement Law states:

All procurement of supplies and services shall be made from among businesses licensed to do business on Guam and that maintains an office or other facility on Guam, whenever a business that is willing to be a contractor is:

- ( ) (a) A licensed bonafide manufacturing business that adds at least twenty-five percent (25%) of the value of an item, not to include administrative overhead, suing workers who are U.S. Citizens or lawfully admitted permanent residents or nationals of the United States, or persons who are lawfully admitted to the United States to work, based on their former citizenship in the Trust Territory for the Pacific Islands; or
- ( ) (b) A business that regularly carries an inventory for regular immediate sale of at least fifty percent (50%) of the items of supplies to be procured; or
- ( ) (c) A business that has a bonafide retail or wholesale business location that regularly carries an inventory on Guam of a value of at least one half of the value of the bid or One Hundred Fifty Thousand Dollars (\$150,000.0) whichever is less, of supplies and items of a similar nature to those being sought; or
- ( ) \*(d) A service actually in business, doing a substantial business on Guam, and hiring at least 95% U.S. Citizens, lawfully admitted permanent residents or national of the United States, or persons who lawfully admitted to the United States to work, based on their citizenship in any of the nations previously comprising the Trust Territory of the Pacific Islands.

- Bidders indicating qualification under (d) may be considered QUALIFIED for the Local Procurement Preference only if the Government's requirement is for service. Service is defined Pursuant to 5 GCA Government Operations Subparagraph 5030 entitled DEFINITIONS under Chapter 5 of the Guam Procurement Law.

1. I \_\_\_\_\_, representative for \_\_\_\_\_, have read the requirements of the law cited above and do hereby qualify and elect to be given the LOCAL PROCUREMENT PREFERENCE for Bid No.: GPA \_\_\_\_\_. By filling in this information and placing my signature below, I understand that the Guam Power Authority will review this application and provide me with a determination whether or not the 15% preference will be applied to this bid.
2. I \_\_\_\_\_, representative for \_\_\_\_\_, have read the requirements of the law cited above, and do not wish to apply for the Local Procurement Preference for Bid No.: GPA \_\_\_\_\_.

\_\_\_\_\_  
Bidder Representative Signature

\_\_\_\_\_  
Date

**NOTE:**

*Prospective Bidders not completing this form will automatically be not considered for Local Procurement Preference. Non-completion of this form is not a basis for rejection of the bid or proposal.*

## GOVERNMENT OF GUAM

### GENERAL TERMS AND CONDITIONS

#### SEALED BID SOLICITATION AND AWARD

**Only those Boxes checked below are applicable to this bid.**

1. **AUTHORITY:** This solicitation is issued subject to all the provision of the Guam Procurement Act (5GCA, Chapter 5) And the Guam Procurement Regulations (copies of both are available at the Office of the Complier of laws, Department of Law, copies available for inspection at the Guam Power Authority). It requires all parties involved in the Preparation, negotiation, performance, or administration of contracts to act in good faith.
2. **GENERAL INTENTION:** Unless otherwise specified, it is the declared and acknowledged intention and meaning of these General Terms and conditions for the bidder to provide the Government of Guam (Government) with specified services or with materials, supplies or equipment completely assembled and ready for use.
3. **TAXES:** Bidders are cautioned that they are subject to Guam Income Taxes as well as all other taxes on Guam Transactions. Specific information on taxes may be obtained from the Director of Revenue and Taxation.
4. **LICENSING:** Bidders are cautioned that the Government will not consider for award any offer submitted by a bidder who has not complied with the Guam Licensing Law. Specific information on licenses may be obtained from the Director of Revenue and Taxation.
5. **LOCAL PROCUREMENT PREFERENCE:** All procurement of supplies and services where possible, will be made from among businesses licensed to do business on Guam in accordance with section 5008 of the Guam Procurement Act (5GCA, Chapter 5) and Section 1-104 of the Guam Procurement Regulations.
6. **COMPLIANCE WITH SPECIFICATIONS AND OTHER SOLICITATION REQUIREMENTS:** Bidders shall comply with all specifications and other requirements of the Solicitation.
7. **“ALL OR NONE” BIDS:** Unless otherwise allowed under this Solicitation. “all or none” bids may be deemed to be non-responsive. If the bid is so limited, the Government may reject part of such proposal and award on the remainder.

**NOTE:** By checking this item, the Government is requesting all of the bid items to be bided or none at all. **The Government will not award on an itemized basis.** Reference: Section 3-101.06 of the Guam Procurement Regulations.

8. **INDEPENDENT PRICE DETERMINATION:** The bidder, upon signing the Invitation for Bid, certifies that the prices in his bid were derived at without collusion, and acknowledge that collusion and anti-competitive practices are prohibited by law. Violations will be subject to the provision of Section 5651 of that of the Guam Procurement Act. Other existing civil, criminal or administrative remedies are not impaired and may be in addition to the remedies in Section 5651 of the Government code.
9. **BIDDER'S PRICE:** The Government will consider not more than two (2) (Basic and Alternate) item prices and the bidder shall explain fully each price if supplies, materials, equipment, and/or specified services offered comply with specifications and the products origin. Where basic or alternate bid meets the minimum required specification, cost and other factors will be considered. Failure to explain this requirement will result in rejection of the bid.
10. **BID ENVELOPE:** Envelope shall be sealed and marked with the bidder's name, Bid number, time, date and place of Bid Opening.
11. **BID GUARANTEE REQUIREMENT:** Bidder is required to submit a Bid Guarantee Bond or standby irrevocable Letter of Credit or Certified Check or Cashier's Check in the same bid envelope to be held by the Government pending award. The Bid Guarantee Bond, Letter of Credit, Certified Check or Cashier's Check must be issued by any local surety or banking institution licensed to do business on Guam and made payable to the Guam Power Authority in the amount of fifteen percent (15%) of his highest total bid offer. The Bid Bond must be submitted on Government Standard Form BB-1 (copy enclosed). Personal Checks will not be accepted as Bid Guarantee. If a successful Bidder (contractor) withdraws from the bid or fails to enter into contract within the prescribed time, such Bid guarantee will be forfeited to the Government of Guam. Bids will be disqualified if not accompanied by Bid Bond, Letter of Credit, Certified Check or Cashier's check. Bidder must include in his/her bid, valid copies of a Power of Attorney from the Surety and a Certificate of Authority from the Government of Guam to show proof that the surety company named on the bond instrument is authorized by the Government of Guam and qualified to do business on Guam. For detailed information on bonding matters, contact the Department of Revenue and Taxation. Failure to submit a valid Power of Attorney and Certificate of Authority on the surety is cause for rejection of bid. (GPR Section 3-202.03.3) **Pursuant to Public Law 27-127, all competitive sealed bidding for the procurement of supplies or services exceeding \$25,000.00 a 15% Bid Security of the total bid price must accompany the bid package.**
12. **PERFORMANCE BOND REQUIREMENT:** The Bidder may be required to furnish a Performance Bond on Government Standard Form BB-1 or standby irrevocable Letter of Credit or Certified Check or Cashier's Check payable to the Guam Power Authority issued by any of the local Banks or Bonding Institution in the amount equal to **FIFTEEN PERCENT (15%)** of the contract prices as security for the faithful performance and proper fulfillment of the contract. In the event that any of the provisions of this contract are violated by the contractor, the Chief Procurement Officer shall serve written notice upon both the contractor and the Surety of its intention to terminate the contract. Unless satisfactory arrangement or correction is made within ten (10) days of such notice the contract shall cease and terminate upon the expiration of the ten (10) days. In the event of any such termination, the Chief Procurement Officer shall immediately serve notice thereof upon the Surety. The Surety shall have the right to take over and perform the contract, provided, however, that if the Surety does not commence performance thereof within

10 days from the date of the mailing of notice of termination, the Government may take over and prosecute the same to complete the contract or force account for the account and at the expense of the contractor, and the contractor and his Surety shall be liable to the Government for any excess cost occasioned the Government thereby (GPR Section 3-202.03.4).

- [X] 13. **PERFORMANCE GUARANTEE:** Bidders who are awarded a contract under this solicitation, guarantee that goods will be delivered or required services performed within the time specified. Failure to perform the contract in a satisfactory manner may be cause for suspension or debarment from doing business with the Government and to enforce Section 23 of these General Terms and Conditions. In addition, the Government will hold the Vendor liable and will enforce the requirements as set forth in Section 41 of these General Terms and Conditions.
- [X] 14. **SURETY BONDS:** Bid and Performance Bonds coverage must be signed or countersigned in Guam by a foreign or alien surety's resident general agent. The surety must be an Insurance Company, authorized by the government of Guam and qualified to do business in Guam. Bids will be disqualified if the Surety Company does not have a valid Certificate of Authority from the Government of Guam to conduct business in Guam.
- [X] 15. **COMPETENCY OF BIDDERS:** Bids will be considered only from the such bidders who, in the opinion of the Government, can show evidence of their ability, experience, equipment, and facilities to render satisfactory service.
- [X] 16. **DETERMINATION OF RESPONSIBILITY OF BIDDERS:** The Chief Procurement Officer reserves the right for securing from bidders information to determine whether or not they are responsible and to inspect plant site, place of business; and supplies and services as necessary to determine their responsibility in accordance with Section 15 of these General Terms and Conditions (GPR Section 3-401).
- [X] 17. **STANDARD FOR DETERMINATION OF LOWEST RESPONSIBLE BIDDER:** In determining the lowest responsible offer, the Chief Procurement Officer shall be guided by the following:
- a) Price of items offered.
  - b) The ability, capacity, and skill of the Bidder to perform.
  - c) Whether the Bidder can perform promptly or within the specified time.
  - d) The quality of performance of the Bidder with regards to awards previously made to him.
  - e) The previous and existing compliance by the Bidder with laws and regulations relative to procurement.
  - f) The sufficiency of the financial resources and ability of the Bidder to perform.
  - g) The ability of the bidder to provide future maintenance and services for the subject of the award.
  - h) **The compliance with all of the conditions to the Solicitation.**
- [X] 18. **TIE BIDS:** If the bids are for the same unit price or total amount in the whole or in part, the Chief Procurement Officer will determine award based on Section 3.202.15.2, or to reject all such bids (GPR Section 3-202.15.2).
- [X] 19. **BRAND NAMES:** Any reference in the Solicitation to manufacturer's Brand Names and number is due to lack of a satisfactory specification of commodity description. Such preference is intended to be descriptive, but nor restrictive and for the sole purpose of indicating prospective bidders a description of the article or services that will be satisfactory. Bids on comparable items will be considered provided the bidder clearly states in his bid the exact articles he is offering and how it differs from the original specification.
- [X] 20. **DESCRIPTIVE LITERATURE:** Descriptive literature(s) as specified in this solicitation must be furnished as a part of the bid and must be received at the date and time set for opening Bids. The literature furnished must clearly identify the item(s) in the Bid. The descriptive literature is required to establish, for the purpose of evaluation and award, details of the product(s) the bidder proposes to furnish including design, materials, components, performance characteristics, methods of manufacture, construction, assembly or other characteristics which are considered appropriate. Rejection of the Bid will be required if the descriptive literature(s) do not show that the product(s) offered conform(s) to the specifications and other requirements of this solicitation. Failure to furnish the descriptive literature(s) by the time specified in the Solicitation will require rejection of the bid.
- [ ] 21. **SAMPLES:** Sample(s) of item(s) as specified in this solicitation must be furnished as a part of the bid and must be received at the date and time set for opening Bids. The sample(s) should represent exactly what the bidder proposes to furnish and will be used to determine if the item(s) offered complies with the specifications. Rejection of the Bid will be required if the sample(s) do not show that the product(s) offered conform(s) to the specifications and other requirements of this solicitation. Failure to furnish the sample(s) by the time specified in the Solicitation will require rejection of the Bid.
- [ ] 22. **LABORATORY TEST:** Successful bidder is required to accompany delivery of his goods with a Laboratory Test Report indicating that the product he is furnishing the Government meets with the specifications. This report is on the bidder's account and must be from a certified Testing Association.
- [X] 23. **AWARD, CANCELLATION, & REJECTION:** Award shall be made to the lowest responsible and responsive bidder, whose bid is determined to be the most advantageous to the Government, taking into consideration the evaluation factors set forth in this solicitation. No other factors or criteria shall be used in the evaluation. The right is reserved as the interest of the Government may require to waive any minor irregularity in bid received. The Chief Procurement Officer shall have the authority to award, cancel, or reject bids, in whole or in part for any one or more items if he determines it is in the public interest. Award issued to the lowest responsible bidder within the specified time for acceptance as indicated in the solicitation, results in a bidding contract without further action by either party. In case of an error in the extension of prices, unit price will govern. It is the policy of the Government to award contracts to qualified local bidders. The government reserves the right to increase or decrease the quantity of the items for award and make additional awards for the same type items and the vendor agrees to such modifications and additional awards based on the bid prices for a period of thirty (30) days after original award. No award shall be made under this solicitation which shall require advance payment or irrevocable letter of credit from the government (GPR Section 3-202.14.1).



- [X] 24. **MARKING:** Each outside container shall be marked with the Purchase Order number, item number, brief tem description and quantity. Letter marking shall not be less than 3/4" in height.
- [X] 25. **SCHEDULE FOR DELIVERY:** Successful bidder shall notify the Guam Power Authority, Dededo Warehouse at (671) 653-2073, Information Technology Division at (671) 648-3060, GPA Transportation Supply at (671) 300-8318 and/or Guam Power Authority Cabras Warehouse at (671) 475-3319 at least twenty-four (24) hours before delivery of any item under this solicitation.
- [ ] 26. **BILL OF SALE:** Successful supplier shall render Bills of Sale for each item delivered under this contract. Failure to comply with this requirement will result in rejection of delivery. The Bill of Sale must accompany the items delivered but will not be considered as an invoice for payment. Supplier shall bill the Government in accordance with billing instructions as indicated on the Purchase Order.
- [ ] 27. **MANUFACTURER'S CERTIFICATE:** Successful bidder is required, upon delivery of any item under this contract, to furnish a certificate from the manufacturer indication that the goods meet the specifications. Failure to comply with this request will result in rejection of delivery payment. Supplier shall bill the Government in accordance with billing instructions as indicated on the Purchase Order.
- [X] 28. **INSPECTION:** All supplies, materials, equipment, or services delivered under this contract shall be subject to the inspection and/or test conducted by the Government at destination. If in any case the supplies, materials, equipment, or services are found to be defective in material, workmanship, performance, or otherwise do not conform with the specifications, the Government shall have the right to reject the items or require that they be corrected. The number of days required for correction will be determined by the Government.
- [ ] 29. **MOTOR VEHICLE SAFETY REQUIREMENTS:** The Government will only consider Bids on motor vehicles which comply with the requirements of the National Traffic and Motor Vehicle safety Act of 1966 (Public Law 89-563) and Clean Air Act as amended (Public Law 88-206), that are applicable to Guam. Bidders shall state if the equipment offered comply with these aforementioned Federal Laws.
- [ ] 30. **SAFETY INSPECTION:** All motor vehicles delivered under this contract must pass the Government of Guam Vehicle Inspection before delivery at destination.
- [X] 31. **GUARANTEE:**  
 a) **Guarantee of Vehicle Type of Equipment:**  
 The successful bidder shall guarantee vehicular type of equipment offered against defective parts, workmanship, and performance, for a period of not less than one (1) year after date of receipt of equipment. Bidder shall also provide service to the equipment for at least one (1) year. Service to be provided shall include, but will not be limited to tune ups (change of spark plugs, contact points and condensers) and lubrication (change of engine and transmission oil). All parts and labor shall be at the expense of the bidder. All parts found defective and not caused by misuse, negligence or accident within the guarantee period shall be repaired, replaced, or adjusted within six (6) working days after notice from the Government and without cost to the Government. Vehicular type of equipment as used in this context shall include equipment used for transportation as differentiated from tractors, backhoes, etc.  
 b) **Guarantee of Other Type of Equipment:**  
 The successful bidder shall guarantee all other types of equipment offered, except those mentioned in 31a, above, against defective parts, workmanship, and performance for a period of not less than three (3) months after date of receipt of equipment. Bidder shall also provide service to the equipment for at least three (3) months. All parts found defective within that period shall be repaired or replaced by the Contractor without cost to the Government. Repairs, adjustments or replacements of defective parts shall be completed by the contractor within six (6) working days after notice from the Government.  
 c) **Compliance with this Section is a condition of this Bid.**
- [X] 32. **REPRESENTATION REGARDING ETHICS IN PUBLIC PROCUREMENT:** The bidder or contractor represents that it has not knowingly influenced and promises that it will not knowingly influence a Government employee to breach any of the ethical standards and represents that it has not violated, is not violating, and promises that it will not violate the prohibition against gratuities and kickbacks set forth on Chapter 11 (Ethics in Public Contracting) of the Guam Procurement Act and in Chapter 11 of the Guam Procurement Regulations.
- [X] 33. **REPRESENTATION REGARDING CONTINGENT FEES:** The contractor represents that it has not retained a person to solicit or secure a Government contract upon an agreement or understanding for a commission, percentage, brokerage, or contingent fee, except for retention of bona fide employees or bona fide established commercial selling agencies for the purpose of securing business (GPR Section 11-207).
- [X] 34. **EQUAL EMPLOYMENT OPPORTUNITY:** Contractors shall not discriminate against any employee or applicant of employment because of race, color, religion, se, or national origin. The contractor will take affirmative action to ensure that employees are treated equally during employment without regards to their race, color, religion, sex, or national origin.
- [X] 35. **COMPLIANCE WITH LAWS:** Bidders awarded a contract under this Solicitation shall comply with the applicable standard, provisions, and stipulations of all pertinent Federal and/or local laws, rules, and regulations relative to the performance of this contract and the furnishing of goods.
- [X] 36. **CHANGE ORDER:** Any order issued relative to awards made under this solicitation will be subject to and in accordance with the provisions of Section 6-101-03.1 of the Guam Procurement Regulations.
- [X] 37. **STOP WORK ORDER:** Any stop work order issued relative to awards made under this solicitation will be subject to and in accordance with the provisions of Section 6-101-04.1 of the Guam Procurement Regulations.

- [X] 38. **TERMINATION FOR CONVENIENCE:** Any termination order for the convenience of the Government issued relative towards made under this solicitation will be subject to and in accordance with the provisions of Section 6-101.10 of the Government Procurement Regulations.
  
- [X] 39. **TIME FOR COMPLETION:** It is hereby understood and mutually agreed by and between the contractor and the Government that the time for delivery to final destination or the timely performance of certain services is an essential condition of this contract. If the contractor refuses or fails to perform any of the provisions of this contract within the time specified in the Purchase Order (from the date Purchase Order is acknowledged by vendor), then the contractor is in default. Defaults will be treated subject to and in accordance with the provisions of Section 6-101-08 of the Guam Procurement Regulations.
  
- [X] 40. **JUSTIFICATION OF DELAY:** Bidders who are awarded contracts under this Solicitation, guarantee that the goods will be delivered to their destination or required services rendered within the time specified. If the bidder is not able to meet the specified delivery date, he is required to notify the Chief Procurement Officer of such delay. Notification shall be in writing and shall be receive by the Chief Procurement Officer at least twenty-four (24) hours before the specified delivery date. Notification of delay shall include an explanation of the causes and reasons for the delay including statement(s) from supplier or shipping company causing the delay. The Government reserves the right to reject delay justification if, in the opinion of the Chief Procurement Officer, such justification is not adequate.
  
- [X] 41. **PAYMENT TERMS:** NET THIRTY (30) DAYS after receipt of ORIGINAL invoice for goods and/or services rendered.
  
- [X] 42. **LIQUIDATED DAMAGES:** When the contractor is given notice of delay or nonperformance as specified in Paragraph I (Default) of the Termination for Default Clause of this contract and fails to cure in the time specified, the contractor shall be liable for damages for delay in the amount of one-fourth of one percent (1%) of outstanding order per calendar day from date set for cure until either the territory reasonable obtains similar supplies or services if the contractor is terminated for default, or until the contractor provides the supplies or services if the contractor is not terminated for default. To the extent that the contractor’s delay or nonperformance is excused under Paragraph (4) (Excuse for Nonperformance or Delayed Performance) of the Termination for Default Clause of this contract, liquidated damages shall not be due the territory. The contractor remains liable for damages caused other than by delay (GPR Section 6-101-09.1).
  
- [X] 43. **PHYSICAL LIABILITY:** If it becomes necessary for the Vendor, either as principal, agent or employee, to enter upon the premises or property of the Government of Guam in order to construct, erect, inspect, make delivery or remove property hereunder, the Vendor hereby covenants and agrees to take, use, provide and make all proper, necessary and sufficient precautions, safeguards and protections against the occurrence of any accidents, injuries or damages to any person or property during the progress of the work herein covered, and to be responsible for, and to indemnify and save harmless the Government of Guam from the payment of all sums of money by reason of all or any such accidents, injuries or damages that may occur upon or about such work, and fines, penalties and loss incurred for or by reasons of the violations of any territorial ordinance, regulations, or the laws of Guam or the United States, while the work is in progress. Contractor will carry insurance to indemnify the Government of Guam against any claim for loss, damage or injury to property or persons arising out of the performance of the Contractor or his employees and agents of the services covered by the contract and the use, misuse or failure of any equipment used by the contractor or his employees or agents, and shall provide certificates of such insurance to the Government of Guam when required.
  
- [X] 44. **CONTACT FOR CONTRACT ADMINISTRATION:** If your firm receives a contract as a result of this Solicitation, please designate a person whom we may contact for prompt administration.

Name: \_\_\_\_\_ Title: \_\_\_\_\_

Address: \_\_\_\_\_ Telephone: \_\_\_\_\_

\_\_\_\_\_  
\_\_\_\_\_

## GOVERNMENT OF GUAM

**SEALED BID SOLICITATION INSTRUCTIONS**

1. **BID FORMS:** Each bidder shall be provided with two (2) sets of Solicitation forms. Additional copies may be provided upon request. Bidders requesting additional copies of said forms will be charged per page in accordance with Section 6114 of the Government Code of Guam. All payments for this purpose shall be by cash, certified check or money order and shall be made payable to the Guam Power Authority.
  
2. **PREPARATIONS OF BIDS:**
  - a) Bidders are required to examine the drawings, specifications, schedule, and all instructions. Failure to do so will be at bidder's risk.
  - b) Each bidder shall furnish the information required by the Solicitation. The bidder shall sign the solicitation and print or type his name on the Schedule. Erasures or other changes must be initialed by the person signing the bid. Bids signed by an agent are to be accompanied by evidence of this authority unless such evidence has been previously furnished to the issuing office.
  - c) Unit price for each unit offered shall be shown and such price shall include packing unless otherwise specified. A total shall be entered in the amount column of the Schedule for each item offered. In case of discrepancies between a unit price and extended price, the unit price will be presumed to be correct.
  - d) Bids for supplies or services other than those specified will not be considered. Time, if stated as a number of days, means calendar days and will include Saturdays, Sundays, and holidays beginning the day after the issuance of a Notice to Proceed. Time stated ending on a Saturday, Sunday or Government of Guam legal holiday will end at the close of the next business day.
  
3. **EXPLANATION TO BIDDERS:** Any explanation desired by a bidder regarding the meaning or interpretation of the Solicitation, drawings, specifications, etc., must be submitted in writing and with sufficient time allowed for a written reply to reach all bidders before the submission of their bids. Oral explanations or instructions given before the award of the contract will not be binding. Any information given to a prospective bidder concerning a Solicitation will be furnished to all prospective bidders in writing as an amendment to the Solicitation if such information would be prejudicial to uninformed bidders.
  
4. **ACKNOWLEDGEMENT OF AMENDMENTS TO SOLICITATIONS:** Receipt of an amendment to a Solicitation by a bidder must be acknowledged by signing an acknowledgement of receipt of the amendment. Such acknowledgement must be received prior to the hour and date specified for receipt of bids.
  
5. **SUBMISSION OF BIDS:**
  - a) Bids and modifications thereof shall be enclosed in sealed envelopes and addressed to the office specified in the Solicitation. The bidder shall show the hour and date specified in the Solicitation for receipt, the Solicitation number, and the name and address of the bidder on the face of the envelope.
  - b) Telegraphic bids will not be considered unless authorized by the Solicitation. However, bids may be modified or withdrawn by written or telegraphic notice, provided such notice is received prior to the hour and date specified for receipt (see paragraph 6 of these instructions).
  - c) Samples of items, when required, must be submitted within the time specified, unless otherwise specified by the Government, at no expense to the Government. If not destroyed by testing, samples will be returned at bidder's request and expense, unless otherwise specified by the Solicitation.
  - d) Samples or descriptive literature should not be submitted unless it is required on this solicitation. Regardless of any attempt by a bidder to condition the bid, unsolicited samples or descriptive literature will not be examined or tested at the bidder's risk, and will not be deemed to vary any of the provisions of this Solicitation.
  
6. **FAILURE TO SUBMIT BID:** If no bid is to be submitted, do not return the solicitation unless otherwise specified. A letter or postcard shall be sent to the issuing office advising whether future Solicitations for the type of supplies or services covered by this Solicitation are desired.
  
7. **LATE BID, LATE WITHDRAWALS, AND LATE MODIFICATIONS:**
  - a) Definition: Any bid received after the time and date set for receipt of bids is late. Any withdrawal or modification of a bid received after the time and date set for opening of bids at the place designated for opening is late (Guam Procurement Regulations Section 3-202)
  - b) Treatment: No late bid, late modification, or late withdrawal will be considered unless received before contract award, and the bid, modification, or withdrawal would have been timely but for the action or inaction of territorial personnel directly serving the procurement activity.
  
8. **DISCOUNTS:**
  - a) Notwithstanding the fact that prompt payment discounts may be offered, such offer will not be considered in evaluating bids for award unless otherwise specified in the Solicitation. However, offered discounts will be taken if payment is made within the discount period, even though not considered in the evaluation of bids.
  - b) In connection with any discount offered, time will be computed from date of delivery and acceptance of the supplies to the destination as indicated in the purchase order or contract. Payment is deemed to be made for the purpose of earning the discount on the date of mailing of the Government check.

9. **GOVERNMENT FURNISHED PROPERTY:** No material, labor or facilities will be furnished by the Government unless otherwise provided for in the Solicitation.
10. **SELLERS' INVOICES:** Invoices shall be prepared and submitted in quadruplicate (one copy shall be marked "original") unless otherwise specified. Invoices shall be "certified true and correct" and shall contain the following information: Contract and order number (if any), item numbers, description of supplies or services, sizes, quantities, unit prices, and extended total. Bill of lading number and weight of shipment will be shown for shipments made on Government bills of lading.
11. **RECEIPT, OPENING AND RECORDING OF BIDS:** Bids and modifications shall be publicly opened in the presence of one or more witnesses, at the time, date, and place designated in the Invitation for Bids. The name of each bidder, the bid price, and such other information as is deemed appropriate by the Procurement Officer, shall be read aloud and recorded, or otherwise made available. The names and addresses of required witnesses shall be recorded at the opening. The opened bids shall be available for public inspection except to the extent the bidder designates trade secrets or other proprietary data to be confidential as set forth in accordance with Section 12 below. Material so designated shall accompany the bid and shall be readily separable from the bid in order to facilitate public inspection of the non-confidential portion of the bid. Prices, makes and models or catalogue numbers of the items offered, deliveries, and terms of payment shall be publicly available at the time of bid opening regardless of any designation to the contrary (Guam Procurement Regulations Section 3-202.12.2).
12. **RESTRICTION AGAINST SEX OFFENDERS:**  
 5 GCA Section 5253, enacted by P.L. 28-24 and amended by P.L. 28-98:  
 The service provider warrants that no person in its employment who has been convicted of a sex offense under the provisions of Chapter 25 of Title 9 of the Guam Code Annotated, or of an offense defined in Article 2 of Chapter 28 of Title 9 of the Guam Code Annotated, or who has been convicted of an offense with the same elements as heretofore defined in any other jurisdiction, or who is listed on the Sex Offender Registry shall provide services on behalf of the service provider while on government of Guam property, with the exception of public highways. If any employee of the service provider is providing services on government property and is convicted subsequent to an award of a contract, then the service provider warrants that it will notify the Government of the conviction within twenty-four (24) hours of the conviction, and will remove immediately such convicted person from providing services on government property. If the service provider is found to be in violation of any of the provisions of this paragraph, then the Government will give notice to the service provider to take corrective action. The service provider shall take corrective action within twenty-four (24) hours of notice from the Government, and the service provider shall notify the Government when action has been taken. If the service provider fails to take corrective steps within twenty-four (24) hours of notice from the Government, then the Government in its sole discretion may suspend temporarily any contract for services until corrective action has been taken.
13. **DISABLED VETERAN OWNED:** P.L. 34-115. 5 Guam Code Annotated §5011 & §5012  
**§5011. Policy In Favor of Service-Disabled Veteran Owned Businesses.** Notwithstanding any provision of law, and *except* for the procurement of professional services, if any entity of the government of Guam or any entity expending governmental funds intends to procure any supply or service, which is offered by a business concern that is at least fifty-one percent (51%) owned by a service-disabled veteran(s), that entity *shall* procure such supply or service from that business concern, if the supply or service is available within the period required by procuring entity and the price for the supply or service *does not* exceed one hundred five percent (105%) of the lowest bidder, and *shall* be in addition to any other procurement benefit the service-disabled veteran owned business may qualify for under Guam Law.  
**§5012. Qualifications of a Service-Disabled Veteran Owned Business.** A business concern is qualified under §5011 of this Chapter if:  
 (a.) the business concern is licensed to do business on Guam;  
 (b.) the business concern maintains its headquarters on Guam;  
 (c.) the business concern is at least fifty-one percent (51%) owned by a service-disabled veteran(s) who served in the active U.S. military service, was discharged or released under honorable conditions and whose disability is service-connected as demonstrated by a DD214, and certified by and award letter from the U.S Department of Veterans Affairs;  
 (d.) the DD214 and Disability award letter from the U.S Department of Veterans Affairs are submitted to the procuring entity for every service offered; and  
 (e.) the service-disabled veteran(s) owner of the business concern has filed individual tax returns on Guam for a period of *at least* three (3) consecutive years.”
14. **WOMEN-OWNED BUSINESSES:** P.L. 36.26. 5 Guam Code Annotated §5013.  
**§5013. Policy In Favor of Women-Owned Businesses.**  
 (a.) Notwithstanding any other provision of law, if any entity of the government of Guam or any entity expending governmental funds intends to procure any supply or service which is offered by a business concern that is at least fifty-one percent (51%) owned by women, that entity *shall* procure such supply or service from that business concern, if the supply or service is available within the period required by procuring entity and the price for the supply or service *does not* exceed one hundred five percent (105%) of the lowest bidder, and *shall* be in addition to any other procurement benefit the women-owned business may qualify for under Guam Law. The procuring entity shall determine the lowest price to the entity in the case of more than one (1) women-owned business, or a women-owned business and a service-disabled veteran owned business, who are competing for the same government contract  
 (b.) Qualifications of a Women-Owned Business. A business concern is qualified under Subsection (a) of the Section if:  
 (1) the business concern is licensed to business on Guam;  
 (2) the business concern maintains its headquarters on Guam;

- (3) the business concern is at least fifty-one percent (51%) owned by women, who manage day-to-day operations and make long-term decisions;
- (4) the business concern is certified as a Women-Owned Small Business (WOSB) or an Economically Disadvantaged Women-Owned Small Business (EDWOSB) by the U.S. Small Business Administration; and
- (5) the owner(s) of the business concern has (have) filed individual tax returns on Guam for a period of at least three (3) consecutive years

15. **CONFIDENTIAL DATA:** The Procurement Officer shall examine the bids to determine the validity of any requests for nondisclosure of trade secrets and other proprietary data identified in writing. If the parties do not agree as to the disclosure of data, the Procurement Officer shall inform the bidders in writing what portions of the bid will be disclosed and that, unless the bidders protest under Chapter 9 of the Guam Procurement Act (P.L. 16-124), the bids will be so disclosed. The bids shall be opened to public inspection subject to any continuing prohibition on the disclosure of confidential data (Guam Procurement Regulations Section 3-202.12.3).

16. **MULTI-STEP SEALED BIDDING:**

- a. It is defined as two-phase process consisting of a technical first-phase composed of one or more steps in which bidders submit unpriced technical offers to be evaluated by the territory, and a second-phase in which those bidders whose technical offers are determined to be acceptable during the first-step have their priced bids considered. It is designed to obtain the benefits of competitive sealed bidding by award of a contract to the lowest responsive, responsible bidder, and at the same time obtained the benefits of the competitive sealed proposals procedure through the solicitation of technical offers and the conduct of discussions to evaluate and determine the acceptability of technical offers.
- b. In addition to the requirements set forth in the General Terms and Conditions and the Special provisions, the following applies:
  - 1). only unpriced technical offers are requested in the first phase;
  - 2). priced bids will be considered only in the second phase and only from bidders whose unpriced technical offers are found acceptable in the first phase;
  - 3). the criteria to be used in the evaluation at those specified in the Special Provisions and the General Terms and Conditions;
  - 4). the territory, to the extent the Procurement Officer finds necessary, may conduct oral or written discussion of the unpriced technical offers;
  - 5). the bidders, may designate those portions of the unpriced technical offers which contain trade secrets or other proprietary data which are to remain confidential; and,
  - 6). the service being procured shall be furnished generally in accordance with bidder's technical offer as found to be finally acceptable and shall meet the requirements of the Invitation for Bids.
- c. **RECEIPT AND HANDLING OF UNPRICED TECHNICAL OFFERS.**  
Unpriced technical offers shall not be opened publicly, but shall be opened in front of two or more procurement officials. Such offers shall not be disclosed to unauthorized persons. Bidders may request nondisclosure of trade secrets and other proprietary data identified in writing.
- d. **EVALUATION OF UNPRICED TECHNICAL OFFERS.**  
The unpriced technical offers submitted by bidders shall be evaluated solely in accordance with the criteria set forth in the Invitation for Bids. The unpriced technical offers shall be categorized as:
  - 1). acceptable;
  - 2). potentially acceptable, that is, reasonably susceptible of being made acceptable; or
  - 3). unacceptable. The Procurement Officer shall record in writing the basis for finding an offer unacceptable and make it part of the procurement file.

The Procurement Officer may initiate Phase Two of the procedure if, in the Procurement Officer's opinion, there are sufficient acceptable unpriced technical offers to assure effective price competition in the second phase without technical discussions. If the Procurement Officer finds such is not the case, the Procurement Officer shall issue an amendment to the Invitation for Bids or engage in technical discussions as set forth in Subsection 3-202.20.5 of this Section.

- e. Upon the completion of Phase One, the Procurement Officer shall invite each acceptable bidder to submit a price bid. Upon submission of prices, the Procurement Officer shall prepare the final evaluation and reconsideration for the Chief Procurement Officer's approval.